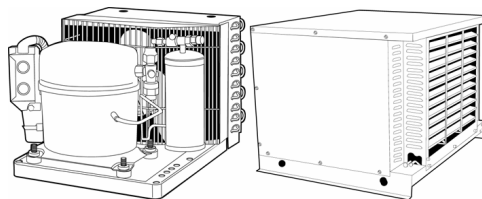


# TECUMSEH CONDENSING UNITS

## TECUMSEH CONDENSING UNIT NOMENCLATURE



TECUMSEH CONDENSING UNITS

AE	A	4	4	40	Y	XA	XC
COMPRESSOR FAMILY	RELEASE VARIANT (Generation)	APPLICATION	NUMBER OF DIGITS IN RATED BTU CAPACITY	FIRST TWO DIGITS IN RATED BTU CAPACITY	REFRIGERANT	VOLTAGE	CONDENSING UNITS

- AE
- AG
- AH
- AJ
- AK
- AN
- AV
- AW
- AZ
- RG
- RK
- SA
- SF
- TP
- HG
- TM
- TH

A = 1st  
B = 2nd  
C = 3rd  
ECT.

In this example (4) total digits, with the first two (40), or 4,000 BTU capacity.

### PRIMARY REFRIGERANTS

- A = R-12
- B = R-410A
- C = R-407C
- E = R-22
- F = R-417a
- J = R-502
- Y = R-134a
- Z = R-404A/R-507

See unit information on next page.

### PRIMARY APPLICATION PARAMETERS

EVAP. TEMPERATURE	RATING PT.	MOTOR STARTING TORQUE
1. Low	-10° F	Normal
2. Low	-10° F	High
3. High	+45° F	Normal
4. High	+45° F	High
5. Air Cond.	+45° F	Normal
6. Medium	+20° F	Normal
7. Medium	+20° F	High
8. Air Cond.	+49° F	Normal
9. Commercial	+20° F	High
0. Commercial	+20° F	Normal
A. Medium/Low	+20° F	Normal

### VOLTAGE CODES

- XA = 115-60-1; 100-50-1
- XB = 230-60-1; 200-50-1
- XC = 220-240-50-1
- XD = 208-230-60-1; 200-50-1
- XF = 208-230-60-3; 200-240-50-3
- XG = 460-60-3; 380-420-50-3
- XH = 575-60-3; 480-520-50-3
- XN = 208-230-60-1; 200-220-50-1
- XP = 220-60-1; 200-50-1
- XT = 200-230-60-3; 200-220-50-3
- XU = 100-60-1; 100-50-1
- XV = 265-60-1
- AB = 115-60-1; 90-50-1
- VA = 265-60-1; 240-220-50-1

NOTE: For explanations of voltages not listed, contact Tecumseh Products Company

# TECUMSEH CONDENSING UNITS

## TECUMSEH CONDENSING UNIT NOMENCLATURE

# AEA4440YXA

# XC

1.

1. E and G = Evaporative Condensate Units.  
X = A holding character, reserved for future use.  
Condensing Unit Features, see chart below.

The Letters I, O, and Q are eliminated		Fan Cooled	Water Cooled	Air Water Cooled	Receiver Tank	BX Cable	Interconnect Compressor	See B/M	Accumulator
A	Standard Unit	•							
B	Std. Unit W/Receiver Tank	•			•				
C	Std. Unit W/Tank & BX Cable	•			•	•			
D	Std. Unit W/BX Cable	•				•			
E,F,K	Physical Design Variant (Conduit)	•				•		•	
G,H,J,L,P	Physical Design Variant (Standard)	•						•	
M	Advanced Commercial Design	•			•	•			•
N	Advanced Commercial Design	•				•			•
S	Customer Special						•	•	
T	Interconnect Compressor								
U	Water Cooled - Adv. Commercial Design		•		•	•			•
V	Electrical Special (Conduit Design)	•				•		•	
W	Water Cooled Unit		•		•	•	•		
X	Interconnect Unit	•			•	•			
Y	Air Water Cooled Unit			•		•			
Z	Electrical Special (Standard Unit)	•						•	
Evaporative Condensing Units									
EC	Large Evaporative Condensate Units Black Plastic Base	•							
ED	Large Evaporative Condensate Units Black Plastic Base	•							
EE	Large Evaporative Condensate Units Black Plastic Base	•							
GA	Small Evaporative Condensate Units Gray Plastic Base	•							
GB	Small Evaporative Condensate Units Gray Plastic Base	•			•				
GK	Small Evaporative Condensate Units Gray Plastic Base	•							
GL	Small Evaporative Condensate Units Gray Plastic Base	•							
Outdoor Condensing Units									
HL	Outdoor Condensing Unit with Options	•						•	
Air Conditioning Units									
RX	Residential Air Conditioning							•	
CX	Commercial Air Conditioning							•	

TECUMSEH CONDENSING UNITS

# TECUMSEH CONDENSING UNITS

## AIR-COOLED UNITS

Commercial Temp (-10 to +45)

TECUMSEH CONDENSING UNITS

PART NO	CDU UNIT MODEL	REFRIGERANT	HP*	VOLT/PH	COMPRESSOR			ESP			LIQUID (in)
					MODEL	B/M	RLA/LRA	RELAY PART NO	O/L PART NO	SUCTION (in)	
2B471-1	AEA0417EXAXA	R-22	1/5	115-1	AEA0415EXA	AE136AT-906	3.7/28.0	P82627	P83458	3/8 F	3/8 F
2A547-9	AEA9415ZXAXB	R-404A	1/5	115-1	AEA9415ZXA	AE570AT-901	4.5/29.0	P82928	P83532	3/8 F	1/4 F
2A548-9	AEA9415ZXAXC	R-404A	1/5	115-1	AEA9415ZXA	AE570AT-901	4.5/29.0	P82928	P83532	3/8 F	3/8 F
2B478-9	AEA9417EXAXB	R-22	1/5	115-1	AEA9415EXA	AE162AT-901	4.3/29.0	P82928	P83532	3/8 F	1/4 F
2B479-9	AEA9417EXAXC	R-22	1/5	115-1	AEA9415EXA	AE162AT-901	4.3/29.0	P82928	P83532	3/8 F	1/4 F
2B474-9	AEA9417EXAXG	R-22	1/5	115-1	AEA9415EXA	AE162AT-907	4.3/29.0	P82928	P83532	3/8 F	1/4 S
2C460-9	AEA9422ZXAXA	R-404A	1/4	115-1	AEA9422ZXA	AE590AT-900	6.7/40.0	P82473	P83503	3/8 F	3/8 F
2C481-9	AEA9422ZXAXB	R-404A	1/4	115-1	AEA9422ZXA	AE590AT-900	6.7/40.0	P82473	P83503	3/8 F	3/8 F
2C482-9	AEA9422ZXAXC	R-404A	1/4	115-1	AEA9422ZXA	AE590AT-900	6.7/40.0	P82473	P83503	3/8 F	3/8 F
2C357-9	AEA9423EXAXA	R-22	1/4	115-1	AEA9422EXA	AE172AT-900	6.1/40.0	P82473	P83503	3/8 F	3/8 F
2C358-9	AEA9423EXAXB	R-22	1/4	115-1	AEA9422EXA	AE172AT-900	6.1/40.0	P82473	P83503	3/8 F	3/8 F
2C359-9	AEA9423EXAXC	R-22	1/4	115-1	AEA9422EXA	AE172AT-900	6.1/40.0	P82473	P83503	3/8 F	1/4 F
2D371-9	AEA9423EXAXE	R-22	1/4	115-1	AEA9422EXA	AE172AT-900	6.1/40.0	P82473	P83503	3/8 F	1/4 F
2D351-9	AKA9429ZXAXC	R-404A	1/3	115-1	AKA9427ZXA	AK174AT-035	7.8/48.0	P82498-	P83546	1/2 F	1/4 F
2D268-9	AKA9433EXAXC	R-22	1/3	115-1	AKA9428EXA	AK164AT-038	7.25/48.0	P82498-	P83548	1/2 F	1/4 F
2C247-9	AKA9433EXAXB	R-22	1/3	115-1	AKA9428EXA	AK164AT-038	7.25/48.0	P82498-	P83548	1/2 F	1/4 F
2C232-9	AKA9433EXAXD	R-22	1/3	115-1	AKA9428EXA	AK164AT-038	7.25/48.0	P82498-	P83548	1/2 F	1/4 F
2E236-9	AKA9433EXAXD	R-22	1/3	115-1	AKA9428EXA	AK164AT-038	7.25/48.0	P82498-	P83548	1/2 F	1/4 F
2C233-9	AKA9433EXDXC	R-22	1/3	230/208-1	AKA9428EXD	AK164ET-038	3.7/23.0	P82484-	P83532	1/2 F	1/4 F
2D291-1	AKA9440ZXAXC	R-404A	1/2	115-1	AKA9438ZXA	AK175AT-035	9.2/58.8	P82498-	P83991-1	1/2 F	1/4 F
2C234-9	AKA9446EXAXC	R-22	1/2	115-1	AKA9442EXA	AK165AT-038	8.8/58.8	P82498-	P83549	1/2 F	1/4 F
2D265-9	AKA9446EXAXE	R-22	1/2	115-1	AKA9442EXA	AK165AT-035	8.8/58.8	P82498-	P83549	1/2 F	1/4 F
2D292-1	AKA9440ZXDXC	R-404A	1/2	230/208-1	AKA9438ZXD	AK175ET-035	4.3/31.0	P82961	P83532	1/2 F	1/4 F
2C235-9	AKA9446EXDXC	R-22	1/2	230/208-1	AKA9442EXD	AK165ET-038	4.3/31.0	P82961	P83509	1/2 F	1/4 F
2E238-9	AKA9446EXDXD	R-22	1/2	230/208-1	AKA9442EXD	AK165ET-038	4.3/31.0	P82961	P83509	1/2 F	3/8 F
2D264-9	AKA9446EXDXE	R-22	1/2	230/208-1	AKA9442EXD	AK165ET-035	4.3/31.0	P82961	P83509	1/2 F	1/4 F
2B776-9	AKA9460ZXDXC	R-404A	3/4	230/208-1	AKA9455ZXD	AK171ET-038	5.7/31.0	P82961	P83739-1	1/2 F	3/8 F
2B725-9	AKA9461EXDXC	R-22	3/4	230/208-1	AKA9455EXD	AK167ET-038	5.3/31.0	P82961	P83739-1	1/2 F	3/8 F
2B793-9	AKA9461EXDXD	R-22	3/4	230/208-1	AKA9455EXD	AK167ET-038	5.3/31.0	P82961	P83739-1	1/2 F	1/4 F
2B759-9	AKA9461EXDXE	R-22	3/4	230/208-1	AKA9455EXD	AK167ET-038	5.3/31.0	P82961	P83739-1	1/2 F	3/8 F
2B777-1	AKA9463ZXDXC	R-404A	3/4	230/208-1	AKA9462ZXD	AK172ET-038	6.8/34.0	P82960	P83530	1/2 F	3/8 F
2A1183-9	AJA9486EXDXC	R-22	1	230/208-1	AJA9484EXD	AJ801ET-418	6.9/54.0	P82960	P83548	5/8 F	3/8 F
2B1115-9	AJA9486EXDXD	R-22	1	230/208-1	AJA9484EXD	AJ801ET-418	6.90/54.0	P82960	P83548	1/2 S	1/4 S
2A1198-9	AJA9486EXDXE	R-22	1	230/208-1	AJA9484EXD	AJ801ET-418	6.9/54.0	P82960	P83548	5/8 F	3/8 F
2A1185-9	AKA9470EXDXD	R-22	1	230/208-1	AKA9462EXD	AK166ET-038	5.5/31.0	P82961	P83739-1	1/2 F	3/8 F
2B1114-9	AKA9470EXDXD	R-22	1	230/208-1	AKA9462EXD	AK166ET-038	5.5/31.0	P82961	P83739-1	1/2 F	1/4 F
2A1199-9	AKA9470EXDXE	R-22	1	230/208-1	AKA9462EXD	AK166ET-038	5.5/31.0	P82961	P83739-1	1/2 F	3/8 F
2B3238-9	AWA9514 ZXNXM	R-404A	1.75	230/208-1	AWA9512ZXXN	AW611FT-099	12.5/60.0	P82965	Internal	7/8 S	3/8 S
2B3239-9	AWA9514ZXTXM	R-404A	1.75	230/200-3	AWA9512ZXT	AW611ST-120	7.8/50.0	--	Internal	7/8 S	3/8 S
2C2133-9	AWA9518ZXNXM	R-404A	2	230/208-1	AWA9514ZXXN	AW617ET-099	14.8/90.0	P82965	Internal	7/8 S	3/8 S
2C2134-9	AWA9518ZXTXM	R-404A	2	230/200-3	AWA9514ZXT	AW617RT-120	10.0/63.4	--	Internal	7/8 S	3/8 S
2C2135-9	AWA9518ZXGXM	R-404A	2	460-3	AWA9514ZXG	AW617TT-099	5.40/36.0	--	Internal	7/8 S	3/8 S
2C2136-9	AVA9523ZXTXM	R-404A	3	230/200-3	AVA9519ZXT	AV201RT-012	13.8/73.4	--	Internal	7/8 S	3/8 S
2B3154-9	AVA9525ZXTXM	R-404A	3	230/200-3	AVA9522ZXT	AV230RT-012	15.8/74.0	--	Internal	7/8 S	3/8 S
2C2137-9	AVA9523ZXGXM	R-404A	3	460-3	AVA9519ZXG	AV201TT-013	5.90/37.7	--	Internal	7/8 S	3/8 S
2B3155-9	AVA9525ZXGXM	R-404A	3	460-3	AVA9522ZXG	AV203TT-013	6.0/37.0	--	Internal	7/8 S	3/8 S
2B3158-9	AVA9529ZXTXM	R-404A	3.5	460-3	AVA9528ZXT	AV204RT-035	19.3/110.0	--	Internal	7/8 S	3/8 S

\* Tables are sorted by unit HP in ascending order.

# TECUMSEH CONDENSING UNITS

## AIR-COOLED UNITS

High Temp (+20 to +45)

PART NO	CDU UNIT MODEL	REFRIGERANT	HP*	VOLT/PH	COMPRESSOR			ESP			
					MODEL	B/M	RLA/LRA	ESP RELAY PART NO	ESP O/L PART NO	SUCTION (in)	LIQUID (in)
2677-9	AEA3414AXAXA	R-12	115-1	115-1	AEA3414AXA	AE121AL-048	2.9/18.0	P82654	P83601	3/8F	3/8F
2A610-9	AEA3414YXAXA	R-134a	115-1	115-1	AEA3414YXA	AE500AT-048	2.9/18.0	P82654	P83601	3/8F	3/8F
2556-9	AEA3417AXAXA	R-12	115-1	115-1	AEA3417AXA	AE160AL-166	3.4/22.0	P82927	P83601	3/8F	3/8F
2A525-9	AEA3417YXAXA	R-134a	115-1	115-1	AEA3417YXA	AE520AT-166	3.4/22.0	P82927	P83601	3/8F	3/8F
2564-9	AEA3425AXAXA	R-12	1/5	115-1	AEA3425AXA	AE170AL-165	4.4/24.0	P82627	P83458	3/8F	3/8F
2A524-1	AEA3425YXAXA	R-134a	1/5	115-1	AEA3425YXA	AE530AT-165	4.4/24.0	P82635	P83458	3/8F	3/8F
2C400-1	AEA3430YXAXA	R-134a	1/4	115-1	AEA3430YXA	AE510AT-231	5.4/28.0	P82928	P83458	3/8F	3/8F
2B430-9	AEA4430AXAXA	R-12	1/4	115-1	AEA4430AXA	AE155AL-238	5.0/29.0	P82928	P83940	3/8F	3/8F
2B428-9	AEA4430AXAXB	R-12	1/4	115-1	AEA4430AXA	AE155AL-238	5.0/29.0	P82928	P83940	3/8F	1/4F
2B402-9	AEA4430AXAXC	R-12	1/4	115-1	AEA4430AXA	AE155AL-238	5.0/29.0	P82928	P83940	3/8F	1/4F
2C401-9	AEA4430YXAXA	R-134a	1/4	115-1	AEA4430YXA	AE540AT-238	5.3/29.0	P82928	P83940	3/8F	3/8F
2C402-9	AEA4430YXAXB	R-134a	1/4	115-1	AEA4430YXA	AE540AT-238	5.3/29.0	P82928	P83940	3/8F	1/4F
2C403-9	AEA4430YXAXC	R-134a	1/4	115-1	AEA4430YXA	AE540AT-238	5.3/29.0	P82928	P83940	3/8F	1/4F
2C309-9	AEA4440AXAXB	R-12	1/3	115-1	AEA4440AXA	AE234AL-668	6.8/32.7	P82929	P83509	3/8F	1/4F
2B373-9	AEA4440AXAXC	R-12	1/3	115-1	AEA4440AXA	AE234AL-668	6.8/32.7	P82929	P83509	3/8F	1/4F
2C311-9	AEA4440AXAXL	R-12	1/3	115-1	AEA4440AXA	AE234AL-668	6.8/32.7	P82929	P83509	3/8F	3/8F
2C372-9	AEA4440YXAXB	R-134a	1/3	115-1	AEA4440YXA	AE630AT-668	7.2/32.7	P82929	P83509	3/8F	1/4F
2C373-9	AEA4440YXAXC	R-134a	1/3	115-1	AEA4440YXA	AE630AT-668	7.2/32.7	P82929	P83509	3/8F	1/4F
2C375-9	AEA4440YXAXL	R-134a	1/3	115-1	AEA4440YXA	AE630AT-668	7.2/32.7	P82929	P83509	3/8F	3/8F
2C312-9	AEA4448AXAXC	R-12	1/3	115-1	AEA4448AXA	AE256AL-663	8.3/40.0	P82473	P83669	3/8F	1/4F
2D315-9	AEA4448YXAXC	R-134a	1/3	115-1	AEA4448YXA	AE660AT-663	8.1/40.0	P82473	P83669	3/8F	1/4F
2A276-9	AJA4461AXAXB	R-12	1/2	115-1	AJA4461AXA	AJ311AT-141	9.1/47.0	P82481-1	P83991-1	1/2F	1/4F
2B216-9	AJA4461AXAXC	R-12	1/2	115-1	AJA4461AXA	AJ311AT-141	9.1/47.0	P82481-1	P83991-1	1/2F	1/4F
2C241-9	AKA4460YXAXB	R-134a	1/2	115-1	AKA4460YXA	AK168AT-038	9.5/48.0	P82498-1	P83514	1/2F	1/4F
2C242-9	AKA4460YXAXC	R-134a	1/2	115-1	AKA4460YXA	AK168AT-038	9.5/48.0	P82498-1	P83514	1/2F	1/4F
2D226-9	AKA4460YXDXC	R-134a	1/2	230/208-1	AKA4460YXD	AK168ET-038	4.8/23.0	P82484-1	P83531	1/2F	1/4S
2B223-9	AJA4461AXDXC	R-12	1/2	230/208-1	AJA4461AXD	AJ311FT-141	4.5/24.0	P82484-1	P83928	1/2F	1/4F
2C294-9	AKA4476YXAXC	R-134a	1/2	115-1	AKA4476YXA	AK169AT-038	11.3/58.8	P82498-1	P83544	1/2F	1/4F
2D232-9	AKA4476YXDXC	R-134a	1/2	230/208-1	AKA4476YXD	AK169ET-038	5.7/27.4	P82983	P83605	1/2F	1/4F
2A750-9	AJA4492AXAXC	R-12	3/4	115-1	AJA4492AXA	AJ100AT-193	13.7/69.0	P82958	P83735-1	5/8F	3/8F
2B728-9	AJA4492YXAXC	R-134a	3/4	115-1	AJA4492YXA	AJ150AT-193	13.0/69.0	P82958	P83735-1	5/8RL	3/8F
2A757-9	AJA4492AXDXC	R-12	3/4	230/208-1	AJA4492AXD	AJ100GT-193	7.0/41.8	P82935	P83529	5/8F	3/8F
2B726-9	AJA4492YDXDC	R-134a	3/4	230/208-1	AJA4492YXD	AJ150GT-193	7.0/41.8	P82935	P83529	5/8RL	3/8F
2A1129-9	AJA4512AXDXC	R-12	1	230/208-1	AJA4512AXD	AJ131GT-193	7.0/41.0	P82960	P83725-1	5/8F	3/8F
2A1193-9	AJA4512YDXDC	R-134a	1	230/208-1	AJA4512YXD	AJ137ET-193	7.0/41.0	P82960	P83530	5/8F	3/8F
2B1113-9	AWG4516EXTXC	R-22	1-1/2	230/200-3	AWG5515EXT	AW700RT-121	5.64/51.0	--	Internal	7/8S	3/8S
2B3233-49	AHA4518AXDXC	R-12	1-1/2	230/208-1	AH4518AXD	AH110FF-504	10.0/45.0	P82965	Internal	7/8RL	3/8F
2B1112-9	AWG4516EXNXC	R-22	1-1/2	230/208-1	AWG5515EXN	AW700ET-111	7.82/43.0	P82961	Internal	7/8S	3/8S
2B3215-9	AWG4520EXNXC	R-22	1-1/2	230/208-1	AWG4520EXN	AW703ET-111	9.5/52.0	P82960	Internal	7/8S	3/8S
2B3216-9	AWG4520EXTXC	R-22	1-1/2	230/200-3	AWG5520EXT	AW703RT-121	6.1/51.0	--	Internal	7/8S	3/8S
2C2108-9	AWG4524EXTXM	R-22	2	230/200-3	AWG5524EXT	AW705RT-120	7.30/50.0	--	Internal	7/8S	3/8S
2C2103-9	AWG4524EXNXM	R-22	2	230/208-1	AWG5524EXN	AW705ET-099	11.7/60.0	P82965	Internal	7/8S	3/8S
2C2107-9	AWG4530EXTXM	R-22	2-1/2	230/200-3	AWG5530EXT	AW707RT-120	8.70/63.4	--	Internal	7/8S	3/8S
2C2106-9	AWG4530EXNXM	R-22	2-1/2	230/208-1	AWG5530EXN	AW707ET-099	14.40/90.0	P82965	Internal	7/8S	3/8S
2B3128-9	AVA4540EXTXM	R-22	3	230/200-3	AVA5542EXT	AV145RT-012	13.3/74.0	--	Internal	7/8S	3/8S
2B3127-9	AVA4540EXNXM	R-22	3	230/208-1	AVA5542EXN	AV144ET-001	21.2/108.0	P82966	Internal	7/8S	3/8S
2A4053-9	AGA4553EXTXM	R-22	4	230/200-3	AGA5553EXT	AG122RT-003	16.5/103.0	--	Internal	7/8F	1/2F
2A4052-9	AGA4553EXNXM	R-22	4	230/208-1	AGA5553EXN	AG122ET-020	27.4/132.0	P82966	Internal	7/8S	1/2F
2A5059-9	AGA4563EXTXM	R-22	5	230/200-3	AGA5561EXT	AG133RT-003	18.8/126.0	--	Internal	7/8F	1/2F
2A5058-9	AGA4563EXNXM	R-22	5	230/208-1	AGA5561EXN	AG133ET-018	30.5/165.0	P82966	Internal	7/8F	1/2F
2A5061-9	AGA4572EXTXM	R-22	6	230/200-3	AGA5568EXT	AG144RT-001	21.6/135.0	--	Internal	7/8F	1/2F
2A5060-9	AGA4572EXNXM	R-22	6	230/208-1	AGA5568EXN	AG144ET-019	34.8/179.0	P82966	Internal	7/8F	1/2F

\* Tables are sorted by unit HP in ascending order.

TECUMSEH CONDENSING UNITS

# TECUMSEH CONDENSING UNITS

## AIR-COOLED UNITS

Low Temp (-40 to +10)

TECUMSEH CONDENSING UNITS

PART NO	CDU UNIT MODEL	REFRIGERANT	HP*	VOLT/PH	COMPRESSOR			ESP			
					MODEL	B/M	RLA/LRA	RELAY PART NO	O/L PART NO	SUCTION (in)	LIQUID (in)
2831-9	AEA1336AXAXA	R-12	1/8	115-1	AEA1336AXA	AE120AT-048	1.7/14.6	P82925	P83541	--	--
2555-9	AEA1360AXAXA	R-12	1/5	115-1	AEA1360AXA	AE140AT-166	2.5/22.0	P82927	P83601	3/8F	3/8F
2A499-9	AEA2410AXAXC	R-12	1/4	115-1	AEA2410AXA	AE235AT-662	4.5/30.2	P82940	P83458	3/8F	1/4F
2C441-9	AEA2410ZXAXC	R-404A	1/4	115-1	AEA2380ZXA	AE560AT-916	4.4/30.2	P82940	P83458	3/8F	1/4F
2D302-9	AEA2413YXAXC	R-134a	1/3	115-1	AEA2413YXA	AE700AT-939	5.9/40.0	P82473	P83533	3/8F	1/4F
2D332-1	AEA2413ZXAXA	R-404A	1/3	115-1	AEA2411ZXA	AE820AT-900	5.9/40.0	P82473	P83503	3/8F	3/8F
2D338-9	AEA2413ZXAXC	R-404A	1/3	115-1	AEA2411ZXA	AE820AT-900	5.9/40.0	P82473	P83503	3/8F	1/4F
2B380-9	AEA2415AABXC	R-12	1/3	115-1	AEA2415AAB	AE334AT-663	6.0/40.0	P82473	P83533	3/8F	1/4F
2D256-9	AJA2422ZXAXB	R-404A	1/2	115-1	AJA2419ZXA	AJ303AT-336	8.1/68.0	P82957	P83547	1/2F	1/4F
2D253-9	AJA2422ZXAXC	R-404A	1/2	115-1	AJA2419ZXA	AJ303AT-336	8.1/68.0	P82957	P83547	1/2F	1/4F
2A275-9	AJA2425AXAXB	R-12	1/2	115-1	AJA2425AXA	AJ601AT-336	7.9/57.0	P82959	P83960	1/2F	1/4F
2B217-9	AJA2425AXAXC	R-12	1/2	115-1	AJA2425AXA	AJ601AT-336	7.9/57.0	P82959	P83960	1/2F	1/4F
2B221-9	AJA2425AXDXC	R-12	1/2	230/208-1	AJA2425AXD	AJ601FT-336	4.3/30.0	P82488-1	P83988	1/2F	1/4F
2D262-9	AJA2429ZXAXA	R-404A	3/4	115-1	AJA2425ZXA	AJ532AT-336	8.2/68.0	P82963	P83548	1/2RL	3/8F
2D275-9	AJA2429ZXAXB	R-404A	3/4	115-1	AJA2425ZXA	AJ532AT-336	8.2/68.0	P82963	P83548	1/2RL	3/8F
2C702-49	AHA2435AXDXC	R-12	3/4	230/208-1	AHA2435AXD	AH400EF-504	6.4/45.0	P82939	Internal	5/8S	3/8S
2B1125-49	AHA2445AXDXC	R-12	1	230/208-1	AHA2445AXD	AH410EF-504	8.2/51.0	P82938	Internal	5/8RL	3/8S
2B1118-9	AWA2448ZDXC	R-404A	1	230/208-1	AWA2440ZXD	AW610ET-111	8.7/73.0	P82965	Internal	5/8S	3/8S
2B1121-9	AWA2448ZXTXC	R-404A	1	230/200-3	AWA2440ZXT	AW610RT-121	5.0/40.5	--	Internal	5/8S	3/8S
2B3243-9	AWA2457ZDXC	R-404A	1.25	230/208-1	AWA2450ZXD	AW615ET-111	5.90/56.00	P82965	Internal	7/8S	3/8S
2B3244-9	AWA2457ZXTXC	R-404A	1.25	230/200-3	AWA2450ZXT	AW615RT-121	4.20/40.50	--	Internal	7/8S	3/8S
2B3225-9	AWA2464ZXTXC	R-404A	1-1/2	230/200-3	AWA2460ZXT	AW613RT-121	8.4/63.4	--	Internal	7/8S	3/8S
2B3224-9	AWA2464ZDXC	R-404A	1-1/2	230/208-1	AWA2460ZXD	AW613ET-111	12.6/86.0	P82965	Internal	7/8S	3/8S
2B3232-49	AHA2466AXDXC	R-12	1-1/2	230/208-1	AHA2466AXD	AH500EF-505	9.7/71.0	P82961	Internal	7/8s	3/8S
2B3236-49	AHA2466AXFXC	R-12	1-1/2	230/208-3	AHA2466AXF	AH500RF-505	6.5/47.0	--	Internal	7/8S	3/8F
2C2115-9	AWA2479ZXTXC	R-404A	2	230/200-3	AWA2460ZXT	AW613RT-121	8.4/63.4	--	Internal	7/8S	3/8S
2C2114-9	AWA2479ZDXC	R-404A	2	230/208-1	AWA2460ZXD	AW613ET-111	12.6/86.0	P82965	Internal	7/8S	3/8S
2C2112-9	AWA2490ZXTXC	R-404A	2-1/4	230/200-3	AWA2460ZXT	AW613RT-120	8.4/63.4	--	Internal	7/8S	3/8S
2C2111-9	AWA2490ZDXC	R-404A	2-1/4	230/208-1	AWA2460ZXD	AW613ET-099	12.6/86.0	P82965	Internal	7/8S	3/8S
2C2117-9	AVA2510ZXTXC	R-404A	2-1/2	230/200-3	AVA2490ZXT	AV195RT-037	9.9/65.1	--	Internal	7/8S	3/8S
2C2116-9	AVA2510ZXNXC	R-404A	2-1/2	230/208-1	AVA2490ZXN	AV195ET-037	16.3/106.6	P82966	Internal	7/8S	3/8S
2B3141-9	AVA2512ZXTXM	R-404A	3	230/200-3	AVA2490ZXT	AV195RT-037	9.9/65.1	--	Internal	7/8S	3/8S
2B3140-9	AVA2512ZXNXM	R-404A	3	230/208-1	AVA2490ZXN	AV195ET-037	16.3/106.6	P82966	Internal	7/8S	3/8S
2B3145-9	AVA2515ZXTXC	R-404A	4	230/200-3	AVA2512ZXT	AV180RT-012	11./65.1	--	Internal	7/8S	3/8S
2B3144-9	AVA2515ZXNXC	R-404A	4	230/208-1	AVA2512ZXN	AV180ET-001	20.9/120.3	P82966	Internal	7/8S	3/8S
2B3146-9	AVA2515ZXGXC	R-404A	4	460-3	AVA2512ZXG	AV180TT-013	6.2/38.3	--	Internal	7/8RL	3/8S

# TECUMSEH CONDENSING UNITS

## AIR-COOLED UNITS

### Medium Temp (-10 to +30)

PART NO	CDU UNIT MODEL	REFRIGERANT	HP*	VOLT/PH	COMPRESSOR		ESP				
					MODEL	B/M	RLA/LRA	RELAY PART NO	O/L PART NO	SUCTION (in)	LIQUID (in)
2B218-9	AJA7441AXAXC	R-12	1/2	115-1	AJA7441AXA	AJ530AT-336	8.8/49.5	P82498-1	P83656-1	1/2F	1/4F
2C287-1	AKA7437YXAXC	R-134a	1/2	115-1	AKA4476YXA	AK169AT-038	8.8/58.8	P82498-1	P83544	1/2F	1/4F
2B225-9	AJA7441AXDXC	R-12	1/2	230/208-1	AJA7441AXD	AJ530FT-336	5.0/29.0	P82934	P83531	1/2F	1/4F
2B714-9	AJA7465AXAXE	R-12	3/4	115-1	AJA7465AXA	AJ201AT-188	11.6/68.0	P82957	P83735-1	5/8F	3/8F
2B729-9	AJA7465YXAXE	R-134a	3/4	115-1	AJA7461YXA	AJ250AT-188	10.1/68.0	P82957	P83735-1	5/8RL	3/8F
2B730-9	AJA7465YDXE	R-134a	3/4	230/208-1	AJA7461YXD	AJ250GT-188	6.4/46.0	P82935	P83512	5/8F	3/8F
2B715-9	AJB7465AXDXE	R-12	3/4	230/208-1	AJB7465AXD	AJ201GT-188	7.0/46.0	P82481-1	P83512	5/8F	3/8F
2B1126-49	AHA7480AXDXC	R-12	1	230/208-1	AHA7480AXD	AH160FF-504	6.5/41.0	P82961	--	5/8S	3/8F
2B1102-9	AJA7480ZDXC	R-404A	1	230/208-1	AJA7494ZXD	AJ202ET-188	9.2/54.0	P82960	Internal	5/8F	3/8F
2B1127-49	AHA7480AXFXC	R-12	1	230/208-3	AHA7480AXF	AH256RF-505	5.2/34.0	--	--	5/8S	3/8F
2B3235-49	AHB7511AXDXC	R-12	1-1/2	230/208-1	AHB7511AXD	AH311GF-505	8.6/45.0	P82965	--	7/8S	3/8F
2B3217-9	AWA7512ZDXC	R-404A	1-1/2	230/208-1	AWA7512ZXD	AW611ET-111	12.9/73.0	P82965	Internal	7/8S	3/8S
2B3237-49	AHA7511AXFXC	R-12	1-1/2	230/208-3	AHA7511AXF	AH313RF-505	5.7/34.0	--	--	7/8S	3/8F
2B3234-49	AHA7514AXDXC	R-12	1-3/4	230/208-1	AHA7514AXD	AH333EF-505	11.4/60.0	P82965	Internal	7/8S	3/8F
2B3219-9	AWA7515ZXTXC	R-404A	2	230/200-3	AWA7515ZXT	AW612RT-121	8.40/63.40	--	Internal	7/8S	3/8S
2B3220-9	AWA7515ZDXC	R-404A	2	230/208-1	AWA7515ZXD	AW612ET-111	16.1/96.8	P82966	Internal	7/8S	3/8S
2B3137-9	AVA7523ZXTXC	R-404A	3	230/200-3	AVA7524ZXT	AV179RT-012	11.4/65.1	--	Internal	7/8S	3/8S
2B3136-9	AVA7523ZNXNC	R-404A	3	230/208-1	AVA7524ZNXN	AV179ET-001	21.4/106.6	P82966	Internal	7/8S	3/8S

\*Tables are sorted by unit HP in ascending order.

## WATER-COOLED UNITS

### Commercial Temp (-10 to +45)

PART NO	UNIT MODEL	REFRIGERANT	HP	VOLT/PH	COMPRESSOR		ESP	
					MODEL	B/M	RELAY PART NO	O/L PART NO
2C363-1	AEA9423EXAXW	R-22	1/3	115-1	AEA9422EXA	AE172AT-946	P82473	P83503
2D288-1	AKA9442ZXAXW	R-404A	1/2	115-1	AKA9438ZXA	AK175AT-038	P82498-1	P83991-1
2D289-1	AKA9442ZXDXXW	R-404A	1/2	230/208-1	AKA9438ZXD	AK175ET-038	P82961	P83532
2C290-1	AKA9457EXAXW	R-22	3/4	115-1	AKA9442EXA	AK165AT-038	P82498-1	P83549
2B774-1	AKA9467ZXAXW	R-404A	3/4	115-1	AKA9455ZXA	AK171AT-038	P82965	P83544
2C291-1	AKA9457EXDXW	R-22	3/4	230/208-1	AKA9442EXD	AK165ET-038	P82961	P83509
2B775-1	AKA9467ZXDXXW	R-404A	3/4	230/208-1	AKA9455ZXD	AK171ET-038	P82961	P83739-1
2B1103-1	AKA9476ZXDXXW	R-404A	1	230/208-1	AKA9462ZXD	AK172ET-038	P82960	P83530
2B746-1	AKA9479EXDXW	R-22	1	230/208-1	AKA9462EXD	AK166ET-038	P82961	P83739-1
2A1192-1	AJA9511EXDXW	R-22	1-1/4	230/208-1	AJA9484EXD	AJ801ET-431	P82960	P83548
2B3228-1	AWG9513EXTXW	R-22	1-3/4	230/200-3	AWG5520EXT	AW703RT-121	--	Internal
2B3227-1	AWG9513EXNXW	R-22	1-3/4	230/208-1	AWG4520EXN	AW703FT-111	P82960	Internal

\*Units using TFM 92 Fan Motor, 51559-2 Blade and Guard/Grille combo.

### High Temp (+20 to +45)

PART NO	UNIT MODEL	REFRIGERANT	HP	VOLT/PH	COMPRESSOR		ESP	
					MODEL	B/M	RELAY PART NO	O/L PART NO
2C391-1	AEA4440YXAXW	R-134a	1/3	115-1	AEA4440YXA	AE630AT-668	P82929	P83509
2D294-1	AKA4475YXAXW	R-134a	1/2	115-1	AKA4460YXA	AK168AT-038	P82498-1	P83514
2D295-1	AKA4475YXDXXW	R-134a	1/2	230/208-1	AKA4460YXD	AK168ET-038	P82484-1	P83581
2B778-1	AKA4490YXAXW	R-134a	3/4	115-1	AKA4476YXA	AK169AT-038	P82498-1	P83544
2B780-1	AJA4510YXDXXW	R-134a	3/4	230/208-1	AJA4492YXD	AJ150GT-193	P82935	P83529
2B779-1	AKA4490YXDXXW	R-134a	3/4	230/208-1	AKA4476YXD	AK169ET-038	P82983	P83605
2B1104-1	AJA4514YXDXXW	R-134a	1	230/208-1	AJA4512YXD	AJ137ET-193	P82960	P83530
2W1501-1	AWG4520EXNXW	R-22	1-3/4	230/208-1	AWG5520EXN	AW703ET-111	P82960	Internal
2W2102-1	AWG4524EXTXW	R-22	2	230/200-3	AWG4524EXT	AW705RT-120	--	Internal
2W2101-1	AWG4524EXNXW	R-22	2	230/208-1	AWG4524EXN	AW705ET-099	P82965	Internal
2W2504-1	AWG4530EXTXW	R-22	2-1/2	230/200-3	AWG4530EXT	AW707RT-120	--	Internal
2W2503-1	AWG4530EXNXW	R-22	2-1/2	230/208-1	AWG4530EXN	AW707ET-099	P82965	Internal
2W3106-1	AVA4535EXTXW	R-22	2-3/4	230/200-3	AVA5535EXT	AV123RT-016	--	Internal

\*Units using TFM 92 Fan Motor, 51559-2 Blade and Guard/Grille combo.

TECUMSEH CONDENSING UNITS

# TECUMSEH CONDENSING UNITS

TECUMSEH CONDENSING UNITS

## WATER-COOLED UNITS

### Low Temp (-40 to +10)

PART NO	UNIT MODEL	REFRIGERANT	HP	VOLT/PH	COMPRESSOR		ESP	
					MODEL	B/M	RELAY PART NO	O/L PART NO
2D286-1	AJA2424ZDXW	R-404A	1/2	230/208-1	AJA2419ZXD	AJ303ET-336	P82960	P83538
2C701-49	AHA2435AXDXW	R-12	3/4	230/208-1	AHA2435AXD	AH400EF-504	P82939	Internal
2B781-1	AJA2433ZDXW	R-404A	3/4	230/208-1	AJA2425ZXD	AJ532ET-336	P82960	P83669
2B1122-49	AHA2445AXDXW	R-12	1	230/208-1	AHA2445AXD	AH410EF-504	P82938	Internal
2B1119-9	AWA2453ZDXDXW	R-404A	1-1/4	230/208-1	AWA2440ZXD	AW610ET-111	P82965	Internal
2B3229-49	AHA2466AXDXW	R-12	1-1/2	230/208-1	AHA2466AXD	AH500EF-505	P82961	Internal
2C2113-9	AWA2488ZDXDXW	R-404A	2	230/208-1	AWA2460ZXD	AW613ET-111	P82965	Internal
2B3142-9	AVA2512ZXTXW	R-404A	3	230/200-3	AVA2490ZXT	AV195RT-037	--	Internal
2B3143-9	AVA2512ZXNXW	R-404A	3	230/208-1	AVA2490ZXT	AV195ET-037	P82966	Internal

\*Units using TFM 92 Fan Motor, 51559-2 Blade and Guard/Grille combo.

\*\*All tables on this page are sorted by unit HP in ascending order.

### Medium Temp (-10 to +30)

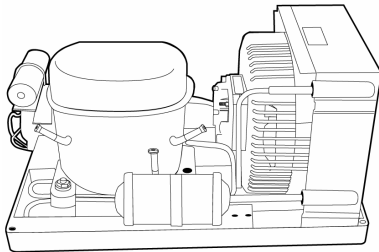
PART NO	UNIT MODEL	REFRIGERANT	HP	VOLT/PH	COMPRESSOR		ESP	
					MODEL	B/M	RELAY PART NO	O/L PART NO
2B209-9	AJA7441AXAXW	R-12	1/2	115-1	AJA7441AXA	AJ530AT-336	P82498-1	P83656-1
2B210-9	AJA7441AXDXW	R-12	1/2	230/208-1	AJA7441AXD	AJ530FT-336	P82934	P83531
2A730-9	AJA7465AXAXW	R-12	3/4	115-1	AJA7465AXA	AJ201AT-188	P82957	P83735-1
2A731-9	AJB7465AXDXW	R-12	3/4	230/208-1	AJB7465AXD	AJ201GT-188	P82481-1	P83512
2B1123-49	AHA7480AXDXW	R-12	1	230/208-1	AHA7480AXD	AH160FF-504	P82961	Internal
2B1124-49	AHA7480AXFXW	R-12	1	230/208-3	AHA7480AXF	AH256RF-505	--	Internal
2B3230-49	AHB7511AXDXW	R-12	1-1/2	230/208-1	AHB7511AXD	AH311GF-505	P82965	Internal
2B3226-9	AWA7511ZDXDXW	R-404A	1-1/2	230/208-1	AWA7490ZXD	AW614ET-111	P82960	Internal
2B3231-49	AHA7511AXFXW	R-12	1-1/2	230/208-3	AHA7511AXF	AH313RF-505	--	Internal
2C2129-49	AHA7514AXDXW	R-12	1-3/4	230/208-1	AHA7514AXD	AH333EF-505	P82965	Internal
2C2130-49	AHA7514AXFXW	R-12	1-3/4	230/208-3	AHA7514AXF	AH334RF-505	--	Internal
2B3222-9	AWA7515ZXTXW	R-404A	2	230/200-3	AWA7512ZXT	AW611RT-121	--	Internal
2B3221-9	AWA7515ZDXDXW	R-404A	2	230/208-1	AWA7512ZXD	AW611ET-111	P82965	Internal

\*Units using TFM 92 Fan Motor, 51559-2 Blade and Guard/Grille combo.

# TECUMSEH CONDENSING UNITS

## TECUMSEH 1/6 TO 1/2 HP CONDENSATE UNITS

### HIGH TEMP R-134a



#### FEATURES AND BENEFITS:

- ULListed
- Molded plastic base — corrosion resistant and lightweight
- Small, compact design
- Moisture proof shroud — extended life
- Quiet and efficient — trademarks of true quality
- Great alternative to electric heater pans

#### APPLICATIONS:

- Food prep tables
- Reach-in coolers
- Beverage dispensers
- Any existing compressor application in which clients build their own condensing units

#### PERFORMANCE DATA

PART NO	MODEL	HP**	VOLTAGE	RLA*	BTU/HR CAPACITY AT 90° F AMBIENT									OVERALL DIMENSIONS (in)		
					+20	+25	+30	+35	+40	+45	+50	+55	SHIP WT (lb)	L	W	H
2X610-39	AEA3414YXAGK	1/6	115-60-1	3.31	860	930	1010	1100	1190	1280	1380	1480	35	19	8.25	10
2X510-39	AEA3417YXAGK	1/5	115-60-1	3.81	1016	1139	1271	1412	1562	1718	1885	2061	35	19	8.25	10
2X560-39	AEA3425YXAGK	1/5+	115-60-1	4.81	1468	1644	1822	2006	2193	2382	2575	2774	35	19	8.25	10
2X570-39	AEA3425YXDGK	1/5+	208-230-60-1	4.60	1466	1611	1793	2001	2214	2414	2587	2719	35	19	8.25	10
2X420-39	AEA3430YXAGK	1/4	115-60-1	5.81	1725	1904	2089	2281	2481	2692	2921	3166	35	19	8.25	10
2X430-39	AEA4430YXAGK	1/4	115-60-1	5.71	1716	1894	2080	2275	2475	2682	2898	3121	35	19	8.25	10
2X440-39	AEA4430YXDGK	1/4	208-230-60-1	3.00	1724	1898	2074	2259	2455	2667	2907	3180	35	19	8.25	10
2X310-39	AEA3440YXAGK	1/3	115-60-1	7.66	2290	2310	2870	3120	3360	3620	3930	4180	35	19	8.25	10
2X360-39	AEA4440YXAGK	1/3	115-60-1	7.78	2397	2620	2870	3110	3382	3634	3922	--	35	19	8.25	10
2X370-39	AEA4440YXDGK	1/3	208-230-60-1	4.25	2454	2671	2918	3157	3431	3687	3977	--	35	19	8.25	10
2D210-1	AKA4460YXAEE	1/2	115-60-1	10.0	3570	4000	4450	4900	5390	5880	6370	--	63	13.0	16.5	--
2D247-1	AKA4476YXAED	1/2	115-60-1	12.7	4400	4900	5400	5950	6500	7100	7700	--	70	13.0	16.5	--

\*Unit rated load amps (RLA) include both the compressor and the fan motor

\*\* Tables are sorted by unit HP in ascending order.

### COMM TEMP R-404A

PART NO	MODEL	HP**	VOLTAGE	RLA*	BTU/HR CAPACITY AT 90° F AMBIENT									OVERALL DIMENSIONS (in)			
					-10	0	+10	+20	+25	+30	+35	+40	+45	SHIP WT (lb)	L	W	H
2X590-39	AEA9415ZXAGK	1/4	115-60-1	4.91	820	1000	1240	1480	1610	1750	1880	2020	2160	35	19	8.25	10
2X380-39	AEA9422ZXAGK	1/3	115-60-1	7.28	1240	1538	2050	2414	2607	2802	3103	3333	--	35	19	8.25	10
2D355-1	AKA9429ZXAEK	1/3	115-60-1	9.2	990	1610	2230	2850	3160	3470	3780	4090	4400	70	13.0	16.5	--

\*Unit rated load amps (RLA) include both the compressor and the fan motor

\*\* Tables are sorted by unit HP in ascending order.

### COMM TEMP R-22

PART NO	MODEL	HP**	VOLTAGE	RLA*	BTU/HR CAPACITY AT 90° F AMBIENT									OVERALL DIMENSIONS (in)			
					-10	0	+10	+20	+25	+30	+35	+40	+45	SHIP WT (lb)	L	W	H
2X441-39	AEA9415EXAGK	1/4	115-60-1	4.71	732	950	1216	1500	1800	1976	2161	2352	2548	35	19	8.25	10
2X341-39	AEA9422EXAGK	1/3	115-60-1	7.28	1240	1538	1858	2202	2383	2659	2761	2959	--	35	19	8.25	10

\*Unit rated load amps (RLA) include both the compressor and the fan motor

\*\* Tables are sorted by unit HP in ascending order.



# TECUMSEH CONDENSING UNITS

TECUMSEH CONDENSING UNITS

## TECUMSEH 1/6 TO 1/2 HP CONDENSATE UNITS

### COMM TEMP R-134a

PART NO	MODEL	HP**	VOLTAGE	RLA*	BTU/HR CAPACITY AT 90° F AMBIENT								
					-10	0	+10	+20	+25	+30	+35	+40	+45
2D340-1	AKA9426YXAEC	1/3	115-60-1	10.0	--	--	--	2600	--	--	--	--	--

\*Unit rated load amps (RLA) include both the compressor and the fan motor

### MED TEMP R-134a

PART NO	MODEL	HP**	VOLTAGE	RLA*	BTU/HR CAPACITY AT 90° F AMBIENT							OVERALL DIMENSIONS (in)		
					-10	0	+10	+20	+25	+30	SHIP WT (lb)	L	W	
2D207-1	AKA7437YXAEC	1/2	115-60-1	16.8	1650	2250	3000	3800	4250	4700	65	13.0	16.5	

\*Unit rated load amps (RLA) include both the compressor and the fan motor

### LOW TEMP R-134a

PART NO	MODEL	HP**	VOLTAGE	RLA*	BTU/HR CAPACITY AT 90° F AMBIENT								OVERALL DIMENSIONS (in)			
					-30	-25	-20	-15	-10	-5	0	+10	SHIP WT (lb)	L	W	H
2X500-39	AEA1360YXAGK	1/5	115-60-1	2.51	310	354	391	425	476	531	610	816	35	19	8.25	10
2X402-39	AEA1410YXAGK	1/4	115-60-1	3.61	635	833	1006	1174	1325	1480	1651	2080	35	19	8.25	10
2X401-39	AEA2410YXAGK	1/4	115-60-1	6.01	865	1064	1247	1418	1567	1701	1820	2004	35	19	8.25	10

\*Unit rated load amps (RLA) include both the compressor and the fan motor

\*\* Tables are sorted by unit HP in ascending order.

### LOW TEMP R-404A

PART NO	MODEL	HP**	VOLTAGE	RLA*	BTU/HR CAPACITY AT 90° F AMBIENT								OVERALL DIMENSIONS (in)			
					-30	-25	-20	-15	-10	-5	0	+10	SHIP WT (lb)	L	W	H
2X411-39	AEA2380ZXAGK	1/4	115-60-1	4.81	612	709	814	927	1049	1178	1318	1620	35	19	8.25	10
2X332-39	AEA2411ZXAGK	1/3	115-60-1	6.31	851	972	1101	1237	1381	1533	1692	2032	35	19	8.25	10
2X340-39	AEA2411ZXDGK	1/3	208-230-60-1	3.10	942	1066	1190	1316	1449	1594	1752	2133	35	19	8.25	10
2D257-1	AJA2422ZAEC	1/2	115-60-1	8.1	1290	1500	1710	1950	2180	2660	2910	3160	99	13.0	16.5	--

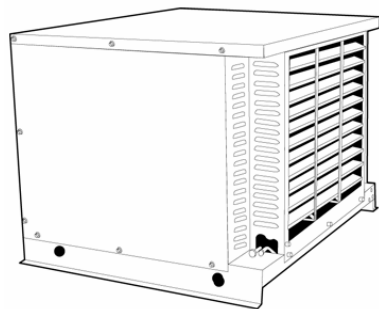
\*Unit rated load amps (RLA) include both the compressor and the fan motor

\*\* Tables are sorted by unit HP in ascending order.

# TECUMSEH CONDENSING UNITS

## TECUMSEH OUTDOOR REFRIGERATION UNITS

### HIGH TEMP R-22



- UL Listed
- Simple and Reliable
- Quality Components at Tecumseh Value
- Performance-Matched to Tecumseh Unit Coolers

#### FEATURED UNIT INCLUDES:

- Liquid line filter with sight glass
- Adjustable low pressure control
- High pressure control
- Headmaster control on low ambient units
- Accumulator
- Crankcase heater
- Receiver
- Suction filter
- Premium enclosure
- Check valve
- Liquid and suction line valves

#### ADDITIONAL OPTIONS INSTALLED AT TIME OF MANUFACTURE:

- Heated receiver tank
- Solenoid valve for field installation
- Defrost controls and contactor
- Fixed or adjustable fan controls
- Externally mounted quick disconnect

#### OUTDOOR UNIT SPECIFICATIONS

PART NO*	MODEL	HP**	VOLTAGE	BTU/HR CAPACITY AT 90° F AMBIENT							OVERALL DIMENSIONS (in)				CONNECTING LINES (in)			
				+20	+25	+30	+35	+40	+45	+50	PUMP DOWN †	WT (lb)	L	W	H	COMPRESSOR RLA/LRA	S	L
2K3215-2E	AWG4520EXNHL	1-1/2	208-230-60-1	11,140	12,500	13,895	15,326	16,792	18,293	19,830	23.87	242	29	36	27.75	9.5/52.0	7/8	3/8
2K3216-2E	AWG4520EXTHL	1-1/2	200-230-60-3	11,140	12,500	13,895	15,326	16,792	18,293	19,830	23.87	300	29	36	27.75	6.1/51.0	7/8	3/8
2K2103-2E	AWG4524EXNHL	2	208-230-60-1	14,683	16,399	18,207	20,108	22,102	24,189	26,368	26.07	312	44.25	36	27.75	11.7/60.0	7/8	3/8
2K2108-2E	AWG4524EXTHL	2	200-230-60-3	14,683	16,399	18,207	20,108	22,102	24,189	26,368	26.07	307	44.25	36	27.75	7.30/50.0	7/8	3/8
2K2106-2E	AWG4530EXNHL	2-1/2	208-230-60-1	18,626	20,789	23,046	25,398	27,845	30,387	33,023	26.38	320	44.25	36	27.75	14.40/90.0	7/8	3/8
2K2107-2E	AWG4530EXTHL	2-1/2	200-230-60-3	18,626	20,789	23,046	25,398	27,845	30,387	33,023	26.38	320	44.25	36	27.75	8.70/63.4	7/8	3/8
2K3127-2E	AVA4540EXNHL	3	208-230-60-1	24,548	27,485	30,479	33,531	36,641	39,809	43,035	26.38	341	44.25	36	27.75	21.2/108.0	7/8	3/8
2K3128-2E	AVA4540EXTHL	3	200-230-60-3	24,548	27,485	30,479	33,531	36,641	39,809	43,035	26.38	333	44.25	36	27.75	13.3/74.0	7/8	3/8
2H4052-2E	AGA4553EXNHL	4	208-230-60-1	33,550	37,408	40,025	44,027	47,600	51,325	54,250	53.78	502	55.5	39.37	34.37	27.4/132.0	7/8	1/2
2H4053-2E	AGA4553EXTHL	4	200-230-60-3	33,550	37,408	40,025	44,027	47,600	51,325	54,250	53.78	490	55.5	39.37	34.37	16.5/103.0	7/8	1/2
2H5058-2E	AGA4563EXNHL	5	208-230-60-1	39,800	44,178	47,750	52,406	56,050	60,475	63,375	58.68	527	55.5	39.37	34.37	30.5/165.0	7/8	1/2
2H5059-2E	AGA4563EXTHL	5	200-230-60-3	39,800	44,178	47,750	52,406	56,050	60,475	63,375	58.68	529	55.5	39.37	34.37	18.8/126.0	7/8	1/2
2H5060-2E	AGA4572EXNHL	6	208-230-60-1	44,000	--	55,000	--	67,000	72,000	80,000	58.68	545	55.5	39.37	34.37	34.5/179.0	7/8	1/2
2H5061-2E	AGA4572EXTHL	6	200-230-60-3	44,000	--	55,000	--	67,000	72,000	80,000	58.68	545	55.5	39.37	34.37	20.0/135.0	7/8	1/2

\*For high ambient units without a headmaster control change the BM extension from -2E to -3E.

\*\* Tables are sorted by unit HP in ascending order

†Pumpdown capacity measured in ounces.

#### COMMERCIAL R-22

PART NO*	MODEL	HP**	VOLTAGE	BTU/HR CAPACITY AT 90° F AMBIENT										OVERALL DIMENSIONS (in)				CONNECTING LINES (in)		
				-10	0	+10	+20	+25	+30	+35	+40	+45	PUMP DOWN †	WT (lb)	L	W	H	COMPRESSOR RLA/LRA	S	L
2K209-2E	AKA9446EXDHL	1/2	208-230-60-1	1,800	2,600	3,500	4,600	5,150	5,700	6,300	6,900	7,600	10.6	258	20.6	13.9	13.2	4.0/31.0	1/2 F	1/4 F
2K725-2E	AKA9461EXDHL	3/4	208-230-60-1	2,600	3,500	4,700	6,100	6,900	7,700	8,500	9,300	10,200	10.6	258	29	36	27.7	5.3/31.0	1/2 F	3/8 F
2K1185-2E	AKA9470EXDHL	3/4	208-230-60-1	3,200	4,300	5,600	7,000	7,800	8,500	9,300	10,100	10,900	10.6	260	29	36	27.7	5.5/31.0	1/2 F	3/8 F
2K1183-2E	AJA9486EXDHL	1	208-230-60-1	3,600	5,100	6,800	8,600	9,500	10,400	11,400	12,400	13,400	10.6	265	24.2	17.8	13.2	6.9/54.0	5/8 F	3/8 F

# TECUMSEH CONDENSING UNITS

## TECUMSEH OUTDOOR REFRIGERATION UNITS

### COMMERCIAL R-22

\*For high ambient units without a headmaster control change the BM extension from -2E to -3E.

†Pumpdown capacity measured in ounces.

\*\* Tables are sorted by unit HP in ascending order

### MEDIUM R-404A

PART NO*	MODEL	HP**	VOLTAGE	BTU/HR CAPACITY AT 90° F AMBIENT							PUMP DOWN †	WT (lb)	OVERALL DIMENSIONS (in)			COMPRESSOR RLA/LRA	CONNECTING LINES (in)	
				-10	0	+10	+20	+25	+30	L			W	H	S		L	
2K3217-2E	AWA7512ZXDHL	1-1/2	208-230-60-1	5,910	7,686	9,694	11,934	13,142	14,407	20.72	310	29	36	27.75	5,910	7/8 S	3/8 S	
2K3218-2E	AWA7521ZXTHL	1-1/2	200-230-60-3	5,910	7,686	9,694	11,934	13,142	14,407	20.72	235	29	36	27.75	5,910	7/8 S	3/8 S	
2K3220-2E	AWA7515ZXDHL	2	208-230-60-1	7,940	9,890	12,044	14,400	15,654	16,959	20.72	330	29	36	27.75	7,940	7/8 S	3/8 S	
2K3219-2E	AWA7515ZXTHL	2	200-230-60-3	7,940	9,890	12,044	14,400	15,654	16,959	20.72	346	29	36	27.75	7,940	7/8 S	3/8 S	

\*For high ambient units without a headmaster control change the BM extension from -2E to -3E.

†Pumpdown capacity measured in ounces.

\*\* Tables are sorted by unit HP in ascending order.

### LOW TEMP R-404A

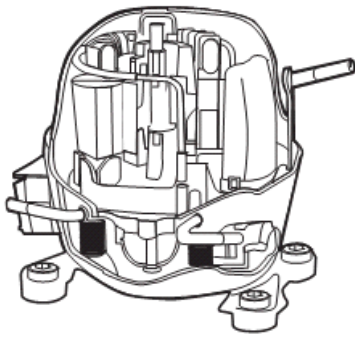
PART NO.*	LOW TEMP R-404A MODELS	HP	VOLTAGE	COMPRESSOR RLA/LRA	BTU/HR CAPACITY AT 90° F AMBIENT										PUMP DOWN †	WT (lb)	OVERALL DIMENSIONS (in.)			CONNECTING LINES (in.)		
					-40	-35	-30	-25	-20	-15	-10	-5	0	+5			+10	L	W	H	S	L
2K1118-2E	AWA2448ZXDHL	1	208-230-60-1	8.7/73.0	1,388	1,888	2,418	2,978	3,568	4,188	4,838	5,517	6,227	6,966	7,736	20.15	267	29	36	27.75	5/8	3/8
2K1121-2E	AWA2448ZXTHL	1	200-230-60-3	5.0/40.5	1,388	1,888	2,418	2,978	3,568	4,188	4,838	5,517	6,227	6,966	7,736	20.15	260	29	36	27.75	5/8	3/8
2K3224-2E	AWA2464ZXDHL	1-1/2	208-230-60-1	12.6/86.0	2,572	3,184	3,810	4,449	5,102	5,769	6,450	7,145	7,854	8,576	9,313	20.15	258	29	36	27.75	7/8	3/8
2K3225-2E	AWA2464ZXTHL	1-1/2	200-230-60-3	8.4/63.4	2,572	3,184	3,810	4,449	5,102	5,769	6,450	7,145	7,854	8,576	9,313	20.15	258	29	36	27.75	7/8	3/8
2K2114-2E	AWA2479ZXDHL	2	208-230-60-1	12.6/86.0	2,337	3,196	4,080	4,990	5,925	6,885	7,871	8,882	9,918	10,980	12,067	20.72	267	29	36	27.75	7/8	3/8
2K2115-2E	AWA2479ZXTHL	2	200-230-60-3	8.4/63.4	2,337	3,196	4,080	4,990	5,925	6,885	7,871	8,882	9,918	10,980	12,067	20.72	261	29	36	27.75	7/8	3/8
2K2111-2E	AWA2490ZXDHL	2-1/4	208-230-60-1	16.3/106.0			4,098	5,212	6,365	7,558	8,790	10,061	11,372	12,722	14,112	22.61	275	25	33.6	19.5	7/8	3/8
2K2112-2E	AWA2490ZXTHL	2-1/4	200-230-60-3	9.9/65.1			4,098	5,212	6,365	7,558	8,790	10,061	11,372	12,722	14,112	22.61	275	25	33.6	19.5	7/8	3/8
2K2116-2E	AVA2510ZXNHL	2-1/2	208-230-60-1	16.3/106.0	3,592	4,675	5,751	6,822	7,887	8,946	9,999	11,046	12,088	13,123		22.61	300	29	36	27.75	7/8	3/8
2K2117-2E	AVA2510ZXTHL	2-1/2	200-230-60-3	9.9/ 65.1	3,592	4,675	5,751	6,822	7,887	8,946	9,999	11,046	12,088	13,123		22.61	300	29	36	27.75	7/8	3/8
2K3140-2E	AVA2512ZXNHL	3	208-230-60-1	20.9/120.3			6,531	7,816	9,102	10,476	11,851	13,315	14,778	16,331	17,884	22.63	325	44.25	36	27.75	7/8 S	3/8 S
2K3141-2E	AVA2512ZXTHL	3	200-230-60-3	16.3/106.0			6,531	7,816	9,102	10,476	11,851	13,315	14,778	16,331	17,884	22.63	325	44.25	36	27.75	7/8 S	3/8 S
2K3144-2E	AVA2515ZXNHL	4	208-230-60-1	20.9/120.3	5,131	6,404	7,791	9,291	10,905	12,633	14,475	16,431	18,500	20,683	22,980	22.9	346	44.25	36	27.75	7/8	3/8
2K3145-2E	AVA2515ZXTHL	4	200-230-60-3	11.0/ 65.1	5,131	6,404	7,791	9,291	10,905	12,633	14,475	16,431	18,500	20,683	22,980	22.9	334	44.25	36	27.75	7/8	3/8

\*For high ambient units without a headmaster control change the BM extension from -2E to -3E.

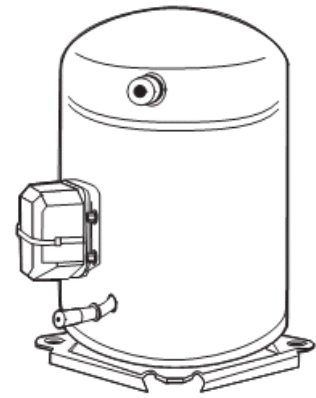
†Pumpdown capacity measured in ounces.

\*\* Tables are sorted by unit HP in ascending order.

TECUMSEH CONDENSING UNITS



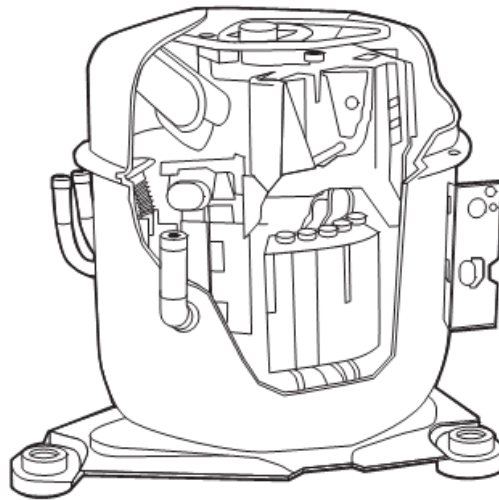
P4516



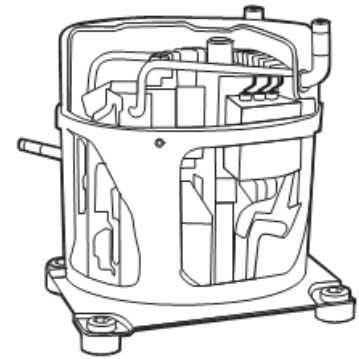
P4519



P4517



P4518

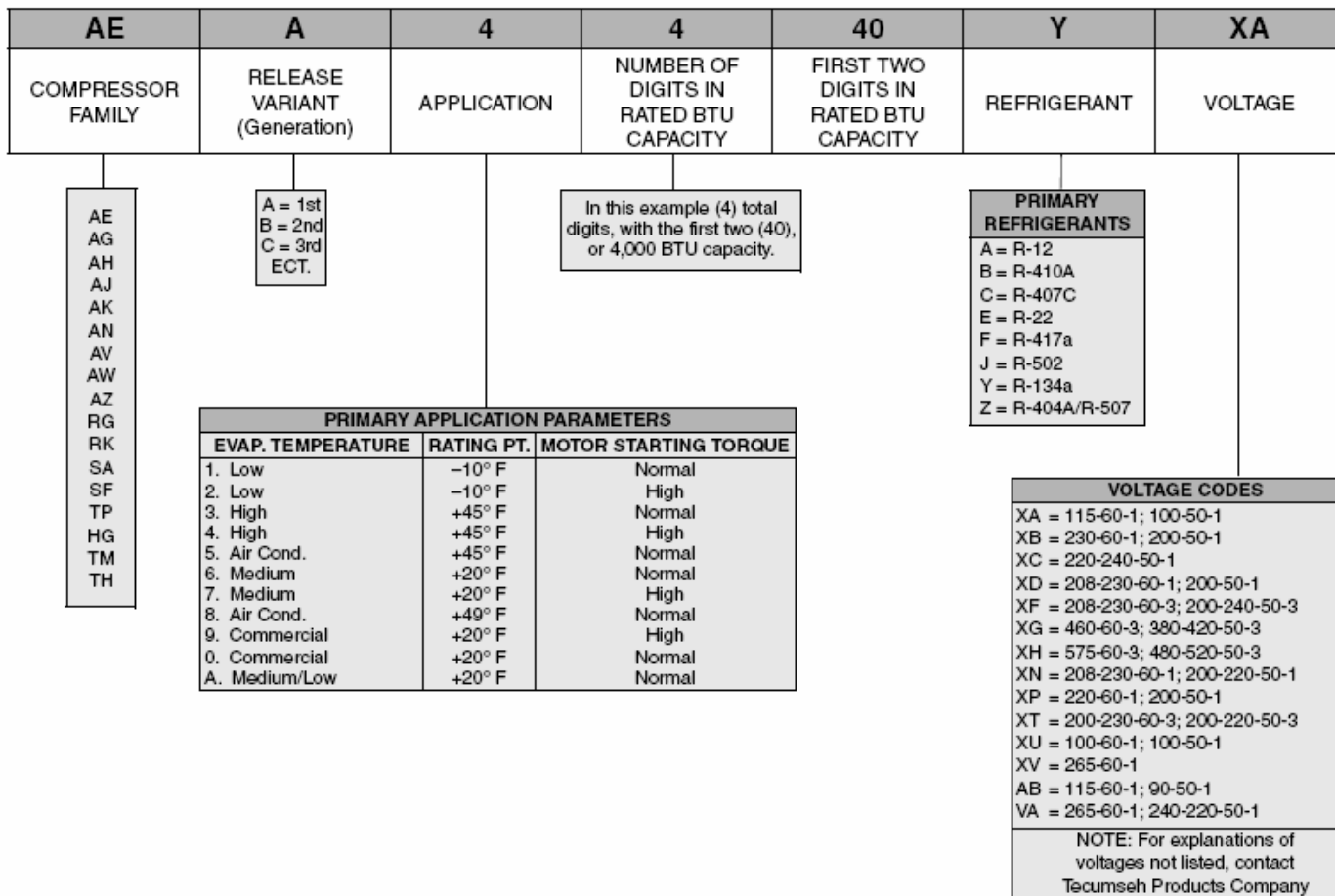


P4520

# TECUMSEH HERMETIC COMPRESSORS

## TECUMSEH HERMETIC COMPRESSOR NOMENCLATURE

EXAMPLE:

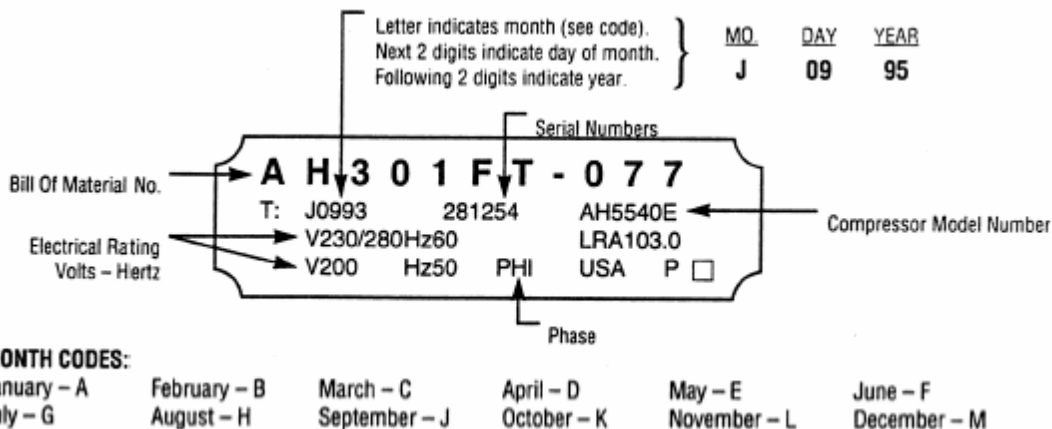


TECUMSEH HERMETIC COMPRESSORS

### SERIAL PLATE INFORMATION

The only source for complete compressor information is on the compressor serial plate. This plate is usually spot-welded on the upper shell of the compressor and describes the compressor characteristics exactly.

### TYPICAL SERIAL PLATE



# TECUMSEH HERMETIC COMPRESSORS

## TECUMSEH COMPRESSOR REFERENCE CHART

AC & Heat Pump (Evap Range +20 to +55) Rating Point 45 Deg. Evap. 130 Deg. Cond.

Model No	DESCRIPTION	VOLT-PH	REF	HP*	RATED BTU/HR	MOTOR TORQUE	OPT	ESP RELAY PART NO	ESP O/L PART NO	LINE SIZES (in)		
										Disch	Suct	LP KIT PART NO
AE230BT-401-J7	AEA5460EXA	115-60-1	R-22	1/2	6,000	Normal	*	P82965*†	P83739-1	1/4 S	3/8 S	LP4
RG121AR-550-J7	RGA5460EXA	115-60-1	R-22	1/2	6,000	Normal	*	P82965*†	P83512	5/16 S	3/8 S	LP96
AK120AT-004-J7	AKA5470EXA	115-60-1	R-22	3/4	7,000	Normal	*	P82965*†	P83530	1/4 S	3/8 S	LP4
AK130AT-004-J7	AKA5483EXA	115-60-1	R-22	3/4	8,300	Normal	*	P82965*†	P83515	1/4 S	3/8 S	LP4
AK130ET-004-J7	AKA5483EXD	230/208-60-1	R-22	3/4	8,300	Normal	*	P82965*†	P83509	1/4 S	3/8 S	LP4
RG151AR-552-J7	RGA5480EXA	115-60-1	R-22	3/4	8,100	Normal	*	P82965*†	P83725-1	5/16 S	3/8 S	LP96
RK124AT-020-J7	RKA5490EXA	115-60-1	R-22	3/4	9,200	Normal	*	P82965*†	P83543	5/16 S	1/2 S	LP96
RK124ET-020-J7	RKA5490EXD	230/208-60-1	R-22	3/4	9,100	Normal	--	--	P83509	5/16 S	1/2 S	LP96
RK124JB-020-J7	RKA5490EXV	265-60-1	R-22	3/4	9,100	Normal	--	--	P83739-1	5/16 S	1/2 S	LP96
AK100AT-004-J7	AKA5510EXA	115-60-1	R-22	1	10,000	Normal	*	P82965*†	P83528	1/4 S	3/8 S	LP4
AK100ET-004-J7	AKA5510EXD	230/208-60-1	R-22	1	10,000	Normal	*	P82965*†	P83333	1/4 S	3/8 S	LP4
AK100JB-004-J7	AKA5510EXV	265-60-1	R-22	1	10,000	Normal	*	P82965*†	P83531	1/4 S	3/8 S	LP4
AK110AT-004-J7	AKA5511EXA	115-60-1	R-22	1	11,000	Normal	*	P82965*†	P83527	1/4 S	3/8 S	LP4
AK111AT-004-J7	AKA5512EXA	115-60-1	R-22	1	12,000	Normal	*	P82969*†	P83527	1/4 S	3/8 S	LP4
AK111ET-004-J7	AKA5512EXD	230/208-60-1	R-22	1	12,000	Normal	*	P82960*†	P83529	1/4 S	3/8 S	LP4
AK111JB-004-J7	AKA5512EXV	265-60-1	R-22	1	12,000	Normal	*	P82969*†	P83907-1	1/4 S	3/8 S	LP4
RG181AR-554-J7	RGA5510EXA	115-60-1	R-22	1	10,300	Normal	*	P82965*†	P83544	5/16 S	1/2 S	LP96
RK147AT-021-J7	RKA5512EXA	115-60-1	R-22	1	11,700	Normal	--	--	P83544	5/16 S	1/2 S	LP96
RK147ET-021-J7	RKA5512EXD	230/208-60-1	R-22	1	11,700	Normal	--	--	P83605	5/16 S	1/2 S	LP96
RK147JB-021-J7	RKA5512EXV	265-60-1	R-22	1	11,750	Normal	--	--	P83531	5/16 S	1/2 S	LP96
RK160AT-024-J7	RKB5513EXA	115-60-1	R-22	1	13,000	Normal	--	--	P83545	5/16 S	3/8 S	LP96
AJ600FT-205-J7	AJB5515EXD	230/208-60-1	R-22	1-1/4	15,000	Normal	*	P82965*†	P83991-1	5/16 S	3/8 S	LP15
AJ600JB-205-J7	AJB5515EXV	265-60-1	R-22	1-1/4	15,000	Normal	*	P82969*†	P83263	5/16 S	3/8 S	LP15
AW700ET-111-J7	AWG5515EXN	230/208-60-1	R-22	1-1/4	15,200	Normal	*	NA	--	3/8 S	1-1/4 R	LP99
AW700RT-121-J7	AWG5515EXT	230/200-60-3	R-22	1-1/4	15,500	3 PH	--	--	--	3/8 S	1-1/4 R	LP99
RK225AT-026-J7	RKC5515EXA	115-60-1	R-22	1-1/4	15,500	Normal	--	--	--	5/16 S	1/2 S	LP96
RK222ET-022-J7	RKA5515EXD	230/208-60-1	R-22	1-1/4	15,500	Normal	--	--	P83725-1	5/16 S	5/8 S	LP96
RK222JB-022-J7	RKA5515EXV	265-60-1	R-22	1-1/4	15,500	Normal	--	--	P83739-1	5/16 S	5/8 S	LP96
AJ210FT-206-J7	AJA5517EXD	230/208-60-1	R-22	1-1/2	16,600	Normal	*	P82965*†	P83523	5/16 S	3/8 S	LP15
AJ200JB-206-J7	AJA5518EXV	265-60-1	R-22	1-1/2	18,500	Normal	*	P82969*†	P83991-1	5/16 S	3/8 S	LP15
AJ222FT-206-J7	AJC5519EXD	230/208-60-1	R-22	1-1/2	19,300	Normal	*	P82965*†	P83527	5/16 S	1/2 S	LP15
AW702ET-093-J7	AWG5519EXN	230/208-60-1	R-22	1-1/2	18,800	Normal	*	P82960*†	--	3/8 S	3/4 S	LP99
RK233ET-022-J7	RKA5518EXD	230/208-60-1	R-22	1-1/2	17,700	Normal	--	--	P83515	5/16 S	5/8 S	LP96
AW703RT-121-J7	AWG5520EXT	230/200-60-3	R-22	1-3/4	20,000	3 PH	--	--	--	3/8 S	1-1/4 R	LP147
AW505TT-090-J7	AWF5524EXG	460-60-3	R-22	2	24,400	3 PH	--	--	--	3/8 S	3/4 S	LP99
AW505RT-098-J7	AWF5524EXT	230/200-60-3	R-22	2	24,400	3 PH	--	--	--	3/8 S	3/4 S	LP99
AW705ET-093-J7	AWG5524EXN	230/208-60-1	R-22	2	24,200	Normal	*	P82965*†	--	3/8 S	3/4 S	LP99
AW705RT-120-J7	AWG5524EXT	230/200-60-3	R-22	2	23,600	3 PH	--	--	--	3/8 S	5/8 S	LP99
AW706ET-093-J7	AWG5528EXN	230/208-60-1	R-22	2-1/4	28,000	Normal	*	P82965*†	--	3/8 S	3/4 S	LP99
AV113ET-026-J7	AVA5532EXN	230/208-60-1	R-22	2-1/2	32,000	Normal	*	P82966*†	--	1/2 S	7/8 S	LP99
AW508TT-090-J7	AWF5530EXG	460-60-3	R-22	2-1/2	29,700	3 PH	--	--	--	3/8 S	3/4 S	LP99
AW508RT-098-J7	AWF5530EXT	230/200-60-3	R-22	2-1/2	29,700	3 PH	--	--	--	3/8 S	3/4 S	LP99
AW509RT-098-J7	AWF5532EXT	230/200-60-3	R-22	2-1/2	31,600	3 PH	--	--	--	3/8 S	3/4 S	LP99
AW707ET-093-J7	AWG5530EXN	230/208-60-1	R-22	2-1/2	31,500	Normal	*	P82965*†	--	3/8 S	3/4 S	LP99
AW707RT-120-J7	AWG5530EXT	230/200-60-3	R-22	2-1/2	28,900	3 PH	--	--	--	3/8 S	5/8 S	LP147
AW708ET-093-J7	AWG5532EXN	230/208-60-1	R-22	2-1/2	31,500	Normal	*	P82965*	--	3/8 S	3/4 S	LP99
AV122ET-029-J7	AVA5535EXN	230/208-60-1	R-22	2-3/4	35,200	Normal	*	P82966*†	--	1/2 S	7/8 S	LP99
AV123RT-027-J7	AVA5535EXT	230/200-60-3	R-22	2-3/4	35,200	3 PH	--	--	--	1/2 S	7/8 S	LP99
AV134TT-036-J7	AVA5538EXG	460-60-3	R-22	3	38,400	3 PH	--	--	--	1/2 S	7/8 S	LP99
AV133ET-030-J7	AVA5538EXN	230/208-60-1	R-22	3	38,400	Normal	*	P82966*†	--	1/2 S	7/8 S	LP99
AV134RT-035-J7	AVA5538EXT	230/200-60-3	R-22	3	38,400	3 PH	--	--	--	1/2 S	7/8 S	LP99
AV145TT-036-J7	AVA5542EXG	460-60-3	R-22	3-1/2	42,500	3 PH	--	--	--	1/2 S	7/8 S	LP99
AV144ET-034-J7	AVA5542EXN	230/208-60-1	R-22	3-1/2	42,500	Normal	*	P82966*†	--	1/2 S	7/8 S	LP99
AV145RT-035-J7	AVA5542EXT	230/200-60-3	R-22	3-1/2	42,500	3 PH	--	--	--	1/2 S	7/8 S	LP99
AV169TT-036-J7	AVA5546EXG	460-60-3	R-22	3-3/4	46,500	3 PH	--	--	--	1/2 S	7/8 S	LP99
AV169RT-035-J7	AVA5546EXT	230/200-60-3	R-22	3-3/4	46,500	3 PH	--	--	--	1/2 S	7/8 S	LP99
AV178TT-043-J7	AVB5549EXG	460-60-3	R-22	4	48,000	3 PH	--	--	--	1/2 S	7/8 S	LP99
AV178ET-041-J7	AVB5549EXN	230/208-60-1	R-22	4	48,000	Normal	*	P82966	--	1/2 S	7/8 S	LP99
AV178RT-046-J7	AVB5549EXT	230/200-60-3	R-22	4	48,000	3 PH	--	--	--	1/2 S	7/8 S	LP99

\*Optional. †SAK2 start assist can be used in place of relay S/Cap.

‡SSR3 relay can be used as an alternate if S/Cap is not used. \* Tables are sorted by compressor HP in ascending order

TECUMSEH HERMETIC COMPRESSORS

# TECUMSEH HERMETIC COMPRESSORS

## TECUMSEH COMPRESSOR REFERENCE CHART

AC & Heat Pump (Evap Range +20 to +55)      Rating Point 45 Deg. Evap. 130 Deg. Cond.

**TECUMSEH HERMETIC COMPRESSORS**

Model No	DESCRIPTION	VOLT-PH	REF	HP*	RATED BTU/HR	MOTOR TORQUE	OPT	ESP RELAY PART NO	ESP O/L PART NO	LINE SIZES (in)		LP KIT PART NO
										Disch	Suct	
AG122ET-003-J7	AGA5553EXN	230/208-60-1	R-22	4-1/2	54,000	3 PH	*	P82966*†	--	1/2 S	7/8 S	LP29
AG122RT-003-J7	AGA5553EXT	230/200-60-3	R-22	4-1/2	54,000	3 PH	--	--	--	1/2 S	7/8 S	LP29
AG122UT-003-J7	AGC5553EXG	460-60-3	R-22	4-1/2	54,000	Normal	--	--	--	1/2 S	7/8 S	LP29
AV190ET-047-J7	AVB5558EXN	230/208-60-1	R-22	4-3/4	57,500	3 PH	*	P82966*	--	1/2 S	7/8 S	LP99
AV190RT-045-J7	AVB5558EXT	230/200-60-3	R-22	4-3/4	57,000	3 PH	--	--	--	1/2 S	7/8 S	LP99
AV191TT-055-J7	AVD5558EXG	460-60-3	R-22	4-3/4	57,600	Normal	--	--	--	1/2 S	7/8 S	LP99
AG133ET-001-J7	AGA5561EXN	230/208-60-1	R-22	5	61,000	3 PH	*	P82966*†	--	1/2 S	7/8 S	LP29
AG133RT-003-J7	AGA5561EXT	230/200-60-3	R-22	5	61,000	3 PH	--	--	--	1/2 S	7/8 S	LP29
AG133UT-003-J7	AGC5561EXG	460-60-3	R-22	5	61,000	Normal	--	--	--	1/2 S	7/8 S	LP29
AG144ET-002-J7	AGA5568EXN	230/208-60-1	R-22	5-1/2	68,000	3 PH	*	P82966*†	--	1/2 S	7/8 S	LP29
AG144RT-001-J7	AGA5568EXT	230/200-60-3	R-22	5-1/2	68,000	3 PH	--	--	--	1/2 S	7/8 S	LP29
AG144UT-001-J7	AGC5568EXG	460-60-3	R-22	5-1/2	68,000	3 PH	--	--	--	1/2 S	7/8 S	LP29
TM107UT-001-J7	TMA5572EXG	460-60-3	R-22	6	70,150	3 PH	--	--	--	3/4	7/8	--
TM107RT-001-J7	TMA5572EXT	230/200-60-3	R-22	6	70,150	3 PH	--	--	--	3/4	7/8	--
TM100UT-002-J7	TMA5610EXG	460-60-3	R-22	9	95,850	3 PH	--	--	--	7/8	1-1/8	--
TM100RT-002-J7	TMA5610EXT	230/200-60-3	R-22	9	95,850	3 PH	--	--	--	7/8	1-1/8	--
TM103UT-002-J7	TMA5612EXG	460-60-3	R-22	10-1/2	124,650	3 PH	--	--	--	7/8	1-1/8	--
TM103RT-003-J7	TMA5612EXT	230-200-60-3	R-22	10-1/2	124,650	3 PH	--	--	--	7/8	1-1/8	--
TM102UT-002-J7	TMA5615EXG	460-60-3	R-22	12	139,920	3 PH	--	--	--	7/8	1-1/8	--
TM102RT-002-J7	TMA5615EXT	230-200-60-3	R-22	12	139,920	3 PH	--	--	--	7/8	1-1/8	--

**Commercial Temp (Evap Range -10 to +45)      Rating Point 20 Deg. Evap., 130 Deg. Cond.**

Model No	DESCRIPTION	VOLT-PH	REF	HP*	RATED BTU/HR	MOTOR TORQUE	ESP RELAY PART NO	ESP O/L PART NO	LINE SIZES (in)		LP KIT PART NO
									Disch	Suct	
AZ430CR-235-J7	AZA0370YXA	115-60-1	R-134a	1/12	700	Normal	P82926	P83535	3/16 S	5/16 S	LP2
AZ440CR-236-J7	AZA0395YXA	115-60-1	R-134a	1/8	950	Normal	P82927	P83536	3/16 S	5/16 S	LP2
AE162AT-907-J7	AEA9415EXA	115-60-1	R-22	1/5	1530	High	P82928	P83532	1/4 S	5/16 S	LP3
AE570AT-907-J7	AEA9415ZXA	115-60-1	R-404A	1/5	1490	High	P82928	P83503	1/4 S	5/16 S	LP3
AE172AT-900-J7	AEA9422EXA	115-60-1	R-22	1/4	2200	High	P82473	P83503	1/4 S	5/16 S	LP3
AE590AT-900-J7	AEA9422ZXA	115-60-1	R-404A	1/4	2200	High	P82473	P83542	1/4 S	5/16 S	LP3
AK174AT-038-J7	AKA9427ZXA	115-60-1	R-404A	1/3	2700	High	P82498-1	P83546	1/4 S	3/4 R	LP15
AK164AT-038-J7	AKA9428EXA	115-60-1	R-22	1/3	2800	High	P82498-1	P83548	1/4 S	3/4 R	LP15
AK164ET-038-J7	AKA9428EXD	230/208-60-1	R-22	1/3	2800	High	P82484-1	P83532	1/4 S	3/4 R	LP15
AK159AT-038-J7	AKA9434AXA	115-60-1	R-12	1/2	3350	High	P82498-1	P83514	1/4 S	3/4 R	LP15
AK175AT-038-J7	AKA9438ZXA	115-60-1	R-404A	1/2	3750	High	P82498-1	P83991-	1/4 S	3/4 R	LP15
AK175ET-038-J7	AKA9438ZXD	230/208-60-1	R-404A	1/2	3750	High	P82961	P83532	1/4 S	3/4 R	LP118
AK163AT-038-J7	AKA9441AXA	115-60-1	R-12	1/2	4100	High	P82498-1	P83514	1/4 S	3/4 R	LP15
AK165AT-038-J7	AKA9442EXA	115-60-1	R-22	1/2	4200	High	P82498-1	P83549	1/4 S	3/4 R	LP15
AK165ET-038-J7	AKA9442EXD	230/208-60-1	R-22	1/2	4200	High	P82961	P83509	1/4 S	3/4 R	LP118
AK167ET-038-J7	AKA9455EXD	230/208-60-1	R-22	3/4	5500	High	P82961	P83739-	1/4 S	3/4 R	LP118
AK171AT-038-J7	AKA9455ZXA	115-60-1	R-404A	3/4	5450	High	P82965	P83544	1/4 S	3/4 R	LP118
AK171ET-038-J7	AKA9455ZXD	230/208-60-1	R-404A	3/4	5450	High	P82961	P83739-	1/4 S	3/4 R	LP118
AK166ET-038-J7	AKA9462EXD	230/208-60-1	R-22	3/4	6200	High	P82961	P83739-	1/4 S	3/4 R	LP118
AK172AT-038-J7	AKA9462ZXA	115-60-1	R-404A	3/4	6250	High	P82965	P83539	1/4 S	3/4 R	LP118
AK172ET-038-J7	AKA9462ZXD	230/208-60-1	R-404A	3/4	6250	High	P82960	P83530	1/4 S	3/4 R	LP118
AJ801ET-418-J7	AJA9484EXD	230/208-60-1	R-22	1	8400	High	P82960	P83548	5/16 S	1/2 S	LP15

\*Optional.

†SAK2 start assist can be used in place of relay S/Cap.

‡SSR3 relay can be used as an alternate if S/Cap is not used.

\* Tables are sorted by compressor HP in ascending order

# TECUMSEH HERMETIC COMPRESSORS

## TECUMSEH COMPRESSOR REFERENCE CHART (cont)

High Temp (Evap Range +20 to +55) Rating Point 45 Deg. Evap., 130 Deg. Cond.

Model No	DESCRIPTION	VOLT-PH	REF	HP*	RATED BTU/HR	MOTOR TORQUE	OPT	ESP RELAY PART NO	ESP O/L PART NO	LINE SIZES (in)		LP KIT PART NO
										Disch	Suct	
AE121AL-014-J7	AEA3414AXA	115-60-1	R-12	1/6	1450	Normal	*	P82654‡	P83601	3/16 S	1/4 S	LP3
AE500AT-048-J7	AEA3414YXA	115-60-1	R-134a	1/6	1400	Normal	*	P82654‡	P83601	3/16 S	1/4 S	LP3
AE160AL-727-J7	AEA3417AXA	115-60-1	R-12	1/5	1850	Normal	*	P82927‡	P83601	1/4 S	5/16 S	LP3
AE170AL-726-J7	AEA3425AXA	115-60-1	R-12	1/5	2600	Normal	*	P82627‡	P83458	1/4 S	5/16 S	LP3
AE530AT-165-J7	AEA3425YXA	115-60-1	R-134a	1/5	2500	Normal	*	P82635‡	P83458	3/16 S	1/4 S	LP3
AE151AS-277-J7	AEA3430AXA	115-60-1	R-12	1/4	3100	Normal	*	P82928‡	P83458	1/4 S	5/16 S	LP3
AE510AT-280-J7	AEA3430YXA	115-60-1	R-134a	1/4	3000	Normal	*	P82928‡	P83458	1/4 S	5/16 S	LP3
AE155AS-238-J7	AEA4430AXA	115-60-1	R-12	1/4	3100	High	--	P82928	P83940	1/4 S	3/8 RF	LP3
AE540AT-238-J7	AEA4430YXA	115-60-1	R-134a	1/4	3000	High	--	P82928	P83532	1/4 S	3/8 RF	LP3
AE231AS-717-J7	AEA3440AXA	115-60-1	R-12	1/3	4100	Normal	*	P82929‡	P83509	1/4 S	5/16 S	LP3
AE635AT-725-J7	AEA3440YXA	115-60-1	R-134a	1/3	4000	Normal	*	P82929	P83739-1	1/4 S	5/16 S	LP15
AE234AS-668-J7	AEA4440AXA	115-60-1	R-12	1/3	4100	High	--	P82929	P83509	1/4 S	3/8 RF	LP3
AE234AS-717-J7	AEA4440AXA	115-60-1	R-12	1/3	4100	High	--	P82929	P83509	1/4 S	5/16 S	LP3
AE630AR-717-J7	AEA4440YXA	115-60-1	R-134a	1/3	3960	High	--	P82929	P83509	1/4 S	5/16 S	LP3
AE630AT-668-J7	AEA4440YXA	115-60-1	R-134a	1/3	3960	High	--	P82929	P83509	1/4 S	3/8 RF	LP3
AE630ET-725-J7	AEA4440YXD	230/208-60-1	R-134a	1/3	3960	High	--	--	P83537	1/4 S	5/16 S	LP3
AE256AL-663-J7	AEA4448AXA	115-60-1	R-12	1/3	4800	High	--	P82473	P83669	1/4 S	3/8 RF	LP3
AE660AT-724-J7	AEA4448YXA	115-60-1	R-134a	1/3	4650	High	--	P82473	P83530	1/4 S	5/16 S	LP15
AJ311AT-126-J7	AJA4461AXA	115-60-1	R-12	1/2	6,100	High	--	P82481-1	P83529	1/4 S	3/8 S	LP63
AJ311AT-141-J7	AJA4461AXA	115-60-1	R-12	1/2	6,100	High	--	P82481-1	P83991-1	5/16 S	3/4 R	LP22
AJ311FT-141-J7	AJA4461AXD	230/208-60-1	R-12	1/2	6,100	High	--	P82484-1	P83928	5/16 S	3/4 R	LP22
AK168AT-032-J7	AKA4460YXA	115-60-1	R-134a	1/2	6,300	High	--	P82498-1	P83548	1/4 S	3/8 S	LP15
AK168AT-038-J7	AKA4460YXA	115-60-1	R-134a	1/2	6,300	High	--	P82498-1	P83548	1/4 S	3/4 R	LP15
AK168ET-038-J7	AKA4460YXD	230/208-60-1	R-134a	1/2	6,300	High	--	P82983	P83532	1/4 S	3/4 R	LP15
AK169AT-038-J7	AKA4476YXA	115-60-1	R-134a	1/2	7,680	High	--	P82498-1	P83544	1/4 S	3/4 R	LP15
AK169ET-038-J7	AKA4476YXD	230/208-60-1	R-134a	1/2	7,680	High	--	P82983	P83605	1/4 S	3/4 R	LP15
AJ100AT-193-J7	AJA4492AXA	115-60-1	R-12	3/4	9,150	High	--	P82958	P83735-1	5/16 S	1 R	LP14
AJ100GT-193-J7	AJA4492AXD	230/208-60-1	R-12	3/4	9,150	High	--	P82935	P83529	5/16 S	1 R	LP14
AJ150AT-193-J7	AJA4492YXA	115-60-1	R-134a	3/4	9,000	High	--	P82958	P83735-1	5/16 S	1 R	LP14
AJ150GT-193-J7	AJA4492YXD	230/208-60-1	R-134a	3/4	9,000	High	--	P82935	P83529	5/16 S	1 R	LP14
AJ131GT-193-J7	AJA4512AXD	230/208-60-1	R-12	1	12,300	High	--	P82960	P83725-1	5/16 S	1 R	LP51
AJ137ET-193-J7	AJA4512YXD	230/208-60-1	R-134a	1	12,100	High	--	P82960	P83530	5/16 S	1 R	LP51
AH110FF-504-J7	AHA4518AXD	230/208-60-1	R-12	1-1/2	18,000	High	--	P82965	--	3/8 S	1-1/4 R	LP7
AH222RF-505-J7	AHA4518AXF	230/208-60-3	R-12	1-1/2	18,000	3 PH	--	--	--	3/8 S	1-1/4 R	LP7
AH222TF-505-J7	AHA4518AXG	460-60-3	R-12	1-1/2	18,000	3 PH	--	--	--	3/8 S	1-1/4 R	LP7
AW703FT-111-J7	AWG4520EXN	230/208-60-1	R-22	1-3/4	20,500	High	--	P82960	--	3/8 S	1-1/4 R	LP147
AH300FF-505-J7	AHA4525AXD	230/208-60-1	R-12	2	25,500	High	--	P82965	--	3/8 S	1-1/4 R	LP7
AH303RF-505-J7	AHA4525AXF	230/208-60-3	R-12	2	25,500	3 PH	--	--	--	3/8 S	1-1/4 R	LP7
AH303TF-505-J7	AHA4525AXG	460-60-3	R-12	2	25,500	3 PH	--	--	--	3/8 S	1-1/4 R	LP7
AW705FT-099-J7	AWG4524EXN	230/208-60-1	R-22	2	24,200	High	--	P82965	--	3/8 S	5/8 S	LP99
AH261RT-097-J7	AHA4531EXF	230/208-60-3	R-22	2-1/2	31,000	3 PH	--	--	--	3/8 S	3/4 S	LP5
AW707FT-099-J7	AWG4530EXN	230/208-60-1	R-22	2-1/2	30,200	High	--	P82961	--	3/8 S	5/8 S	LP99
AG155ET-017-J7	AGA4534AXN	230/208-60-1	R-12	3	33,700	High	--	P82966	--	1/2 S	1-1/4 R	LP29
AG155RT-017-J7	AGA4534AXT	230/200-60-3	R-12	3	33,700	PH	--	--	--	1/2 S	1-1/4 R	LP29
AV144FT-001-J7	AVA4542EXN	230/208-60-1	R-22	3-1/2	42,500	High	--	P82966	--	1/2 S	7/8 S	LP99
AG166ET-017-J7	AGA4543AXN	230/208-60-1	R-12	3-3/4	43,000	High	--	P82966	--	1/2 S	1-1/4 R	LP29
AG166RT-017-J7	AGA4543AXT	230/200-60-3	R-12	3-3/4	43,000	3 PH	--	--	--	1/2 S	1-1/4 R	LP29

\*Optional.

†SAK2 start assist can be used in place of relay S/Cap.

‡SSR3 relay can be used as an alternate if S/Cap is not used.

\* Tables are sorted by compressor HP in ascending order

TECUMSEH HERMETIC COMPRESSORS



# TECUMSEH HERMETIC COMPRESSORS

## TECUMSEH COMPRESSOR REFERENCE CHART (cont)

Low Temp (Evap Range -40 to +10) Rating Point -10 Deg. Evap., 130 Deg. Cond.

**TECUMSEH HERMETIC COMPRESSORS**

Model No	DESCRIPTION	VOLT-PH	REF	HP*	RATED BTU/HR	MOTOR TORQUE	OPT	ESP RELAY PART NO	ESP O/L PART NO	LINE SIZES (in)		LP KIT PART NO
										Disch	Suct	
AE120AT-014-J7	AEA1336AXA	115-60-1	R-12	1/8	375	Normal	*	P82925‡	P83541	3/16 S	1/4 S	LP3
AE504AT-015-J7	AEA1338YXA	115-60-1	R-134a	1/8	380	Normal	--	P82654‡	--	3/16 S	1/4 S	LP2
AE130AT-015-J7	AEA1343AXA	115-60-1	R-12	1/6	450	Normal	*	P82654‡	P83480	3/16 S	1/4 S	LP3
AE140AT-723-J7	AEA1360AXA	115-60-1	R-12	1/5	650	Normal	*	P82927‡	P83601	1/4 S	5/16 S	LP3
AE810AT-166-J7	AEA1360YXA	115-60-1	R-134a	1/5	640	Normal	--	P82927‡	P83535	3/16 S	1/4 S	LP3
TP104AR-003-J7	TPA1380YXA	115-60-1	R-134a	1/5	870	Normal	--	P82999	P83599	1/4 S	5/16 S	LP123
TP101AR-003-J7	TPA1390YXA	115-60-1	R-134a	1/5	970	Normal	--	P82999	P83599	1/4 S	5/16 S	LP123
AE232AT-721-J7	AEA1410AXA	115-60-1	R-12	1/4	1050	Normal	--	P82472‡	P83509	1/4 S	5/16 S	LP54
AE210AT-603-J7	AEA1411EXA	115-60-1	R-22	1/4	1200	Normal	--	P82928	P83458	1/4 S	5/16 S	LP3
AE560AT-916-J7	AEA2380ZXA	115-60-1	R-404A	1/4	750	High	--	P82940	P83458	1/4 S	5/16 S	LP3
AE235AT-670-J7	AEA2410AXA	115-60-1	R-12	1/4	1050	High	--	P82940	P83458	1/4 S	3/8 RF	LP3
AE600AT-944-J7	AEA2410YXA	115-60-1	R-134a	1/4	1020	High	--	P82473	P83533	1/4 S	1/4 S	LP3
AE820AT-900-J7	AEA2411ZXA	115-60-1	R-404A	1/4	1100	High	--	P82473	P83503	1/4 S	5/16 S	LP3
AE150CR-774-J7	AEB1380AXA	115-60-1	R-12	1/4	820	Normal	--	--	NA	1/4 S	5/16 S	LP3
AE236AR-775-J7	AEB1411AXA	115-60-1	R-12	1/4	1075	Normal	--	NA	NA	1/4 S	5/16 S	LP3
TP102AR-003-J7	TPA1410YXA	115-60-1	R-134a	1/4	1100	Normal	--	P82999	P83599	1/4 S	5/16 S	LP123
AE230AT-650-J7	AEA1415EXA	115-60-1	R-22	1/3	1500	Normal	--	P82930	P83510	1/4 S	1/4 S	LP3
AE255AT-671-J7	AEA2413AXA	115-60-1	R-12	1/3	1300	High	--	P82940	P83532	1/4 S	3/8 RF	LP3
AE700AT-939-J7	AEA2413YXA	115-60-1	R-134a	1/3	1350	High	--	P82473	P83533	1/4 S	5/16 S	LP3
AE334AR-663-J7	AEA2415AAB	115-60-1	R-12	1/3	1525	High	--	P82473	P83533	1/4 S	3/8 RF	LP3
AE334AT-944-J7	AEA2415AAB	115-60-1	R-12	1/3	1525	High	--	P82473	P83533	1/4 S	1/4 S	LP3
AJ312AT-141-J7	AJA2416AXA	115-60-1	R-12	1/3	1525	High	--	P82935	P83533	5/16 S	3/4 R	LP23
AJ135AT-336-J7	AJA2419YXA	115-60-1	R-134a	1/2	1860	High	--	P82957	P83547	5/16 S	3/4 R	LP22
AJ303AT-336-J7	AJA2419ZXA	115-60-1	R-404A	1/2	1865	High	--	P82957	P83547	5/16 S	3/4 R	LP22
AJ601AT-336-J7	AJA2425AXA	115-60-1	R-12	1/2	2200	High	--	P82959	P83960	5/16 S	3/4 R	LP22
AJ601FT-336-J7	AJA2425AXD	230/208-60-1	R-12	1/2	2200	High	--	P82488-1	P83988	5/16 S	3/4 R	LP22
AJ532AT-336-J7	AJA2425ZXA	115-60-1	R-404A	1/2	2450	High	--	P82963	P83548	5/16 S	3/4 R	LP22
AJ532ET-336-J7	AJA2425ZXD	230/208-60-1	R-404A	1/2	2450	High	--	P82960	P83669	5/16 S	3/4 R	LP22
AH400EF-504-J7	AHA2435AXD	230/208-60-1	R-12	3/4	3,400	High	--	P82939	--	3/8 S	1-1/4 R	LP8
AJ604AF-436-J7	AJB2433ZXA	115-60-1	R-404A	3/4	3,410	High	--	NA	NA	5/16 S	3/8 S	LP63
AJ604EF-436-J7	AJB2433ZXD	230/208-60-1	R-404A	3/4	3,330	High	--	NA	NA	5/16 S	3/8 S	LP63
AH410EF-504-J7	AHA2445AXD	230/208-60-1	R-12	1	4,400	High	--	P82938	--	3/8 S	1-1/4 R	LP8
AH446RF-505-J7	AHA2445AXF	230/208-60-3	R-12	1	4,400	3 PH	--	--	--	3/8 S	1-1/4 R	LP8
AW610ET-111-J7	AWA2440ZXD	230/208-60-1	R-404A	1	3,775	High	--	P82965	--	3/8 S	1-1/4 R	LP99
AW610RT-121-J7	AWA2440ZXT	230/200-60-3	R-404A	1	3,600	3 PH	--	--	--	3/8 S	1-1/4 R	LP99
AW615ET-111-J7	AWA2450ZXD	230/208-60-1	R-404A	1-1/4	4,600	High	--	P82965	--	3/8 S	1-1/4 R	LP147
AW615RT-121-J7	AWA2450ZXT	230/200-60-3	R-404A	1-1/4	4,800	3 PH	--	--	--	3/8 S	1-1/4 R	LP147
AH500EF-505-J7	AHA2466AXD	230/208-60-1	R-12	1-1/2	6,600	High	--	P82961	--	3/8 S	1-1/4 R	LP7
AH500RF-505-J7	AHA2466AXF	230/208-60-3	R-12	1-1/2	6,600	3 PH	--	--	--	3/8 S	1-1/4 R	LP7
AW613ET-099-J7	AWA2460ZXD	230/208-60-1	R-404A	1-1/2	6,300	High	--	P82965	--	3/8 S	5/8 S	LP99
AW613ET-111-J7	AWA2460ZXD	230/208-60-1	R-404A	1-1/2	6,300	High	--	P82965	--	3/8 S	1-1/4 R	LP147
AW613RT-120-J7	AWA2460ZXT	230/200-60-3	R-404A	1-1/2	6,000	3 PH	--	--	--	3/8 S	5/8 S	LP99
AW613RT-121-J7	AWA2460ZXT	230/200-60-3	R-404A	1-1/2	6,000	3 PH	--	--	--	3/8 S	1-1/4 R	LP147
AV195ET-037-J7	AVA2490ZXX	230/208-60-1	R-404a	2-1/4	9,500	High	--	P82966	--	1/2 S	7/8 S	LP99
AV195RT-037-J7	AVA2490ZXT	230/200-60-3	R-404a	2-1/4	9,000	3 PH	--	--	--	1/2 S	7/8 S	LP99
AV180TT-013-J7	AVA2512ZXX	460-60-3	R-404A	3	12,500	3 PH	--	--	--	1/2 S	7/8 S	LP99
AV180ET-001-J7	AVA2512ZXX	230/208-60-1	R-404A	3	12,500	High	--	--	--	1/2 S	7/8 S	LP99
AV180RT-012-J7	AVA2512ZXT	230/200-60-3	R-404A	3	12,500	3 PH	--	--	--	1/2 S	7/8 S	LP99

\*Optional.

†SAK2 start assist can be used in place of relay S/Cap.

‡SSR3 relay can be used as an alternate if S/Cap is not used.

\* Tables are sorted by compressor HP in ascending order

# TECUMSEH HERMETIC COMPRESSORS

## TECUMSEH COMPRESSOR REFERENCE CHART (cont)

Medium Temp (Evap Range -10 to +30) Rating Point 20 Deg. Evap., 130 Deg. Cond.

Model No	DESCRIPTION	VOLT-PH	REF	HP*	RATED BTU/HR	MOTOR TORQUE	ESP		LINE SIZES (in)		LP KIT PART NO
							RELAY PART NO	O/L PART NO	Disch	Suct	
AJ530AT-336-J7	AJA7441AXA	115-60-1	R-12	1/2	4,400	High	P82498-1	P83656-1	5/16 S	3/4 R	LP22
AJ530FT-336-J7	AJA7441AXD	230/208-60-1	R-12	1/2	4,400	High	P82934	P83531	5/16 S	3/4 R	LP22
AJ250AT-188-J7	AJA7461YXA	115-60-1	R-134a	3/4	6,110	High	P82957	P83735-1	5/16 S	1 R	LP14
AJ250GT-188-J7	AJA7461YXD	230/208-60-1	R-134a	3/4	6,110	High	P82935	P83512	5/16 S	1 R	LP14
AJ201AT-188-J7	AJA7465AXA	115-60-1	R-12	3/4	6,650	High	P82957	P83735-1	5/16 S	1 R	LP14
AJ201AT-426-J7	AJA7465AXA	115-60-1	R-12	3/4	6,650	High	P82957	P83735-1	3/8 S	1/2 S	LP15
AJ201GT-188-J7	AJB7465AXD	230/208-60-1	R-12	3/4	6,650	High	P82481-1	P83512	5/16 S	1 R	LP14
AJ201GT-426-J7	AJB7465AXD	230/208-60-1	R-12	3/4	6,650	High	P82481-1	P83512	3/8 S	1/2 S	LP15
AH160FF-504-J7	AHA7480AXD	230/208-60-1	R-12	1	8,000	High	P82961	--	3/8 S	1-1/4 R	LP8
AH256RF-505-J7	AHA7480AXF	230/208-60-3	R-12	1	8,000	3 PH	--	--	3/8 S	1-1/4 R	LP8
AJ202ET-188-J7	AJA7494ZXD	230/208-60-1	R-404A	1-1/4	9,350	High	P82960	--	5/16 S	1 R	LP14
AW614ET-111-J7	AWA7490ZXD	230/208-60-1	R-404A	1-1/4	9,000	High	P82960	--	3/8 S	1-1/4 R	LP99
AH313RF-505-J7	AHA7511AXF	230/208-60-3	R-12	1-1/2	12,000	3 PH	--	--	3/8 S	1-1/4 R	LP7
AH245RT-169-J7	AHA7513ZXF	230/208-60-3	R-404A	1-1/2	13,200	3 PH	--	--	3/8 S	1-1/4 R	LP7
AH311GF-505-J7	AHB7511AXD	230/208-60-1	R-12	1-1/2	12,000	High	P82965	--	3/8 S	1-1/4 R	LP7
AW611ET-111-J7	AWA7512ZXD	230/208-60-1	R-404A	1-1/2	11,600	High	P82965	--	3/8 S	1-1/4 R	LP99
AW611RT-121-J7	AWA7512ZXT	230/200-60-3	R-404A	1-1/2	11,500	3 PH	--	--	3/8 S	1-1/4 R	LP99
AH333EF-505-J7	AHA7514AXD	230/208-60-1	R-12	1-3/4	14,000	High	P82965	--	3/8 S	1-1/4 R	LP7
AH334RF-505-J7	AHA7514AXF	230/208-60-3	R-12	1-3/4	14,000	3 PH	--	--	3/8 S	1-1/4 R	LP7
AW612ET-111-J7	AWA7515ZXD	230/208-60-1	R-404A	2	15,400	High	P82966	--	3/8 S	1-1/4 R	LP99
AW612RT-121-J7	AWA7515ZXT	230/200-60-3	R-404A	2	15,200	3 PH	--	--	3/8 S	1 1/4 R	LP99
AV179ET-001-J7	AVA7524ZXX	230/208-60-1	R-404A	3	24,000	High	P82966	--	1/2 S	7/8 S	LP99
AV179RT-012-J7	AVA7524ZXT	230/200-60-3	R-404A	3	24,000	3 PH	--	--	1/2 S	7/8 S	LP99

\*Optional.

†SAK2 start assist can be used in place of relay S/Cap.

‡SSR3 relay can be used as an alternate if S/Cap is not used.

\* Tables are sorted by compressor HP in ascending order

TECUMSEH HERMETIC COMPRESSORS